

Bumeks Gear Industry Drive Module



BUMEKS[®]
GEAR INDUSTRY

BMC DRILL

ROTATION UNIT



DRILL HEAD PQ

BMC.5404700

LF90D



Shift to Higher GEAR

BUMEKS[®]
GEAR INDUSTRY

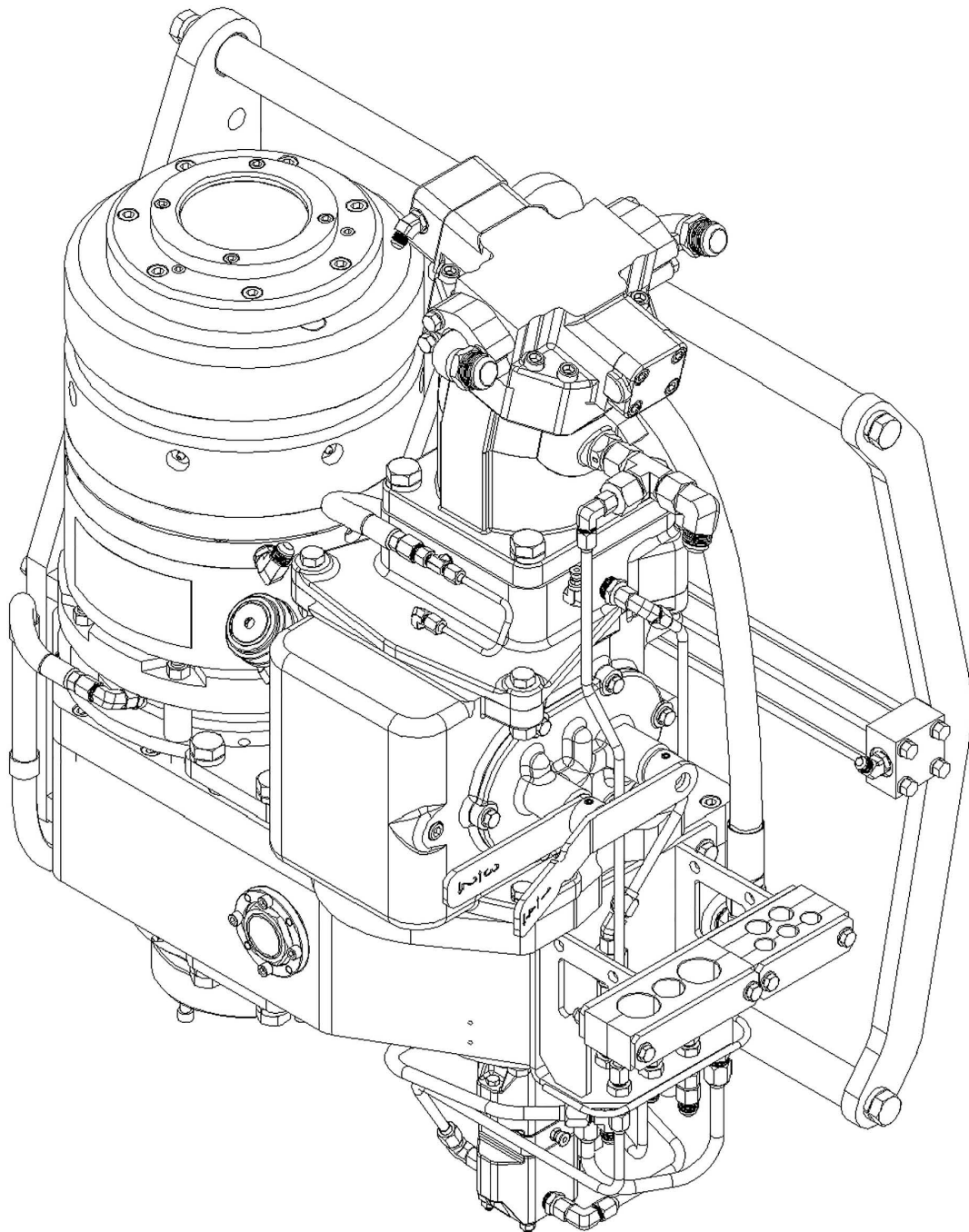




BUMEKS®
GEAR INDUSTRY

DRILL HEAD, PQ

BMC.5404700 DRIVE MODULE, LF90D

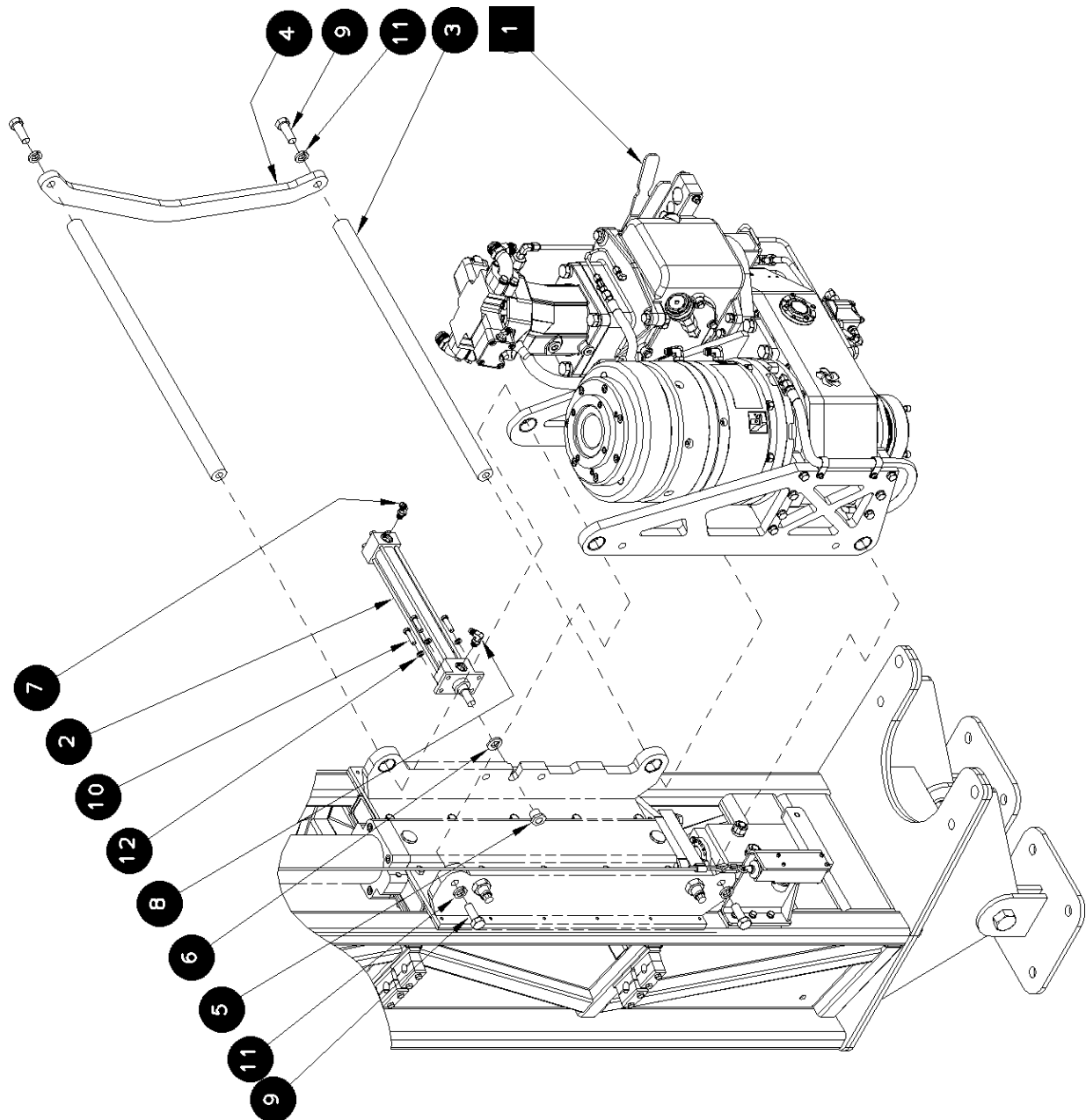




BUMEKS®
GEAR INDUSTRY

DRILL HEAD, PQ

BMC.5404700 DRIVE MODULE, LF90D





BUMEKS[®]
GEAR INDUSTRY

DRILL HEAD, PQ

BMC.5404700 DRIVE MODULE, LF90D

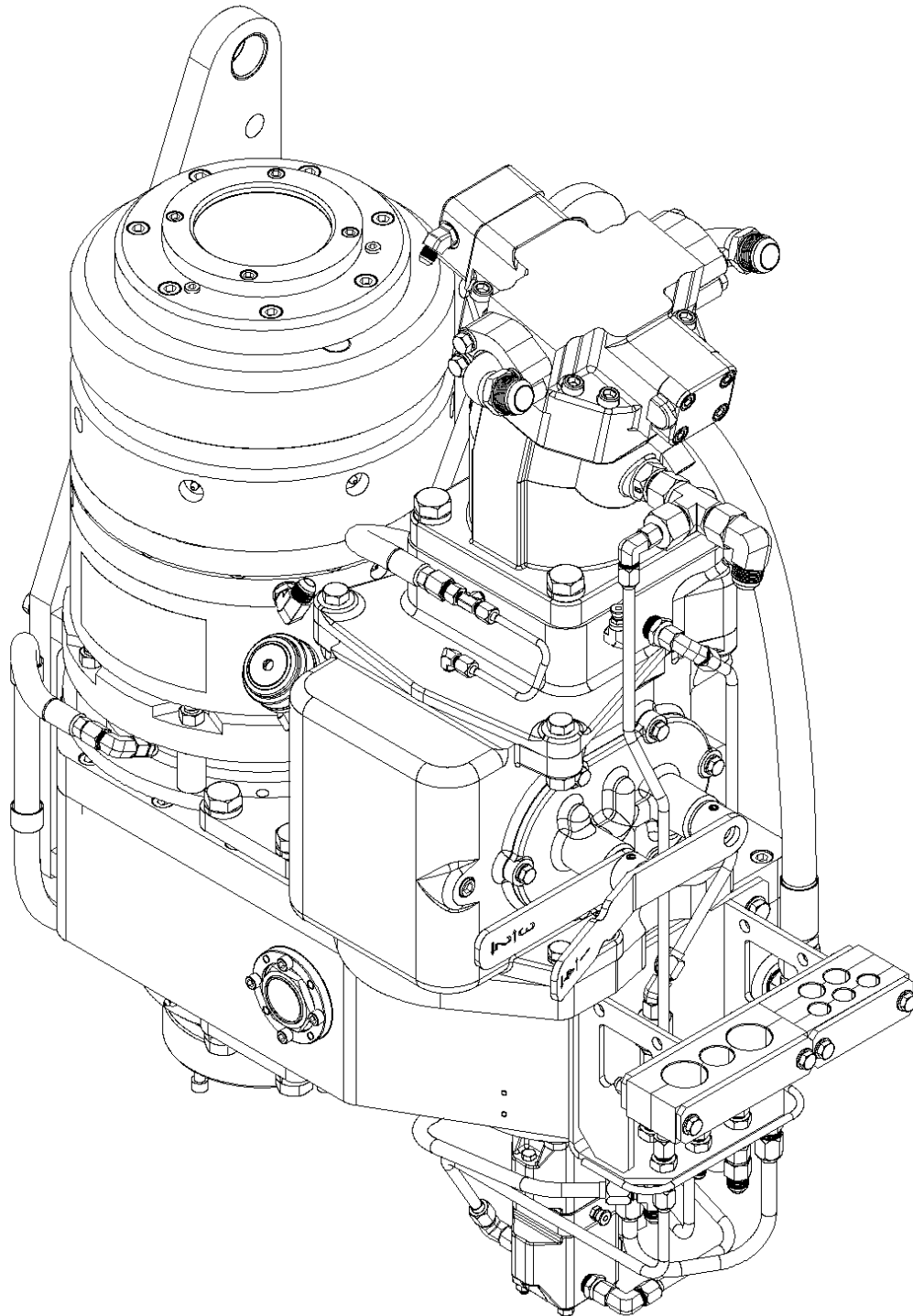
Item	Part No.	Name	Qty	Service
Ref	5404705	HEAD INSTALLATION, PQ (READ COMMENTS)	1	E
Comments for Part Num. 5404705				
NOT AVAILBLE IN THIS FORM, ORDER PARTS BELOW				
1	5404700	DRIVE MODULE, LF90D	1	C
2	5000071	CYLINDER, HYD HEAD SHIFT	1	C
Comments for Part Num. 5000071				
FOR DRILLS MANUFACTURED PRIOR TO SERIAL NUMBER 2008-49 USE SEAL KIT 5001575.				
2A	5001574	SEAL KIT, HYD CYL 5000071	1	C
3	3547391	BAR, GUIDE	2	B
4	3547389	END PLATE, RIGHT SIDE	1	D
5	3547390	NUT, HEX FLG SPECIAL	1	C
6	3547393	WASHER, CYLINDER ROD	1	F
7	33663	ADAP, HYD 45 6 MJ 6 MAORB	1	F
8	36478	ADAP, HYD 90 6 MJ 6 MAORB	1	F
9	43008	C/SCR, HH 3/4-16 UNF x 2 G8 ZP	4	F
10	44536	C/SCR, HH 3/8-16 UNC x 1-1/2 G8 ZP	4	F
11	44523	L/WASHER, SPLIT SPRING 3/4 ZP	4	F
12	44520	L/WASHER, SPLIT SPRING 3/8 ZP	4	F



BUMEKS[®]
GEAR INDUSTRY

DRILL HEAD, PQ

BMC.5404700 DRIVE MODULE, LF90D

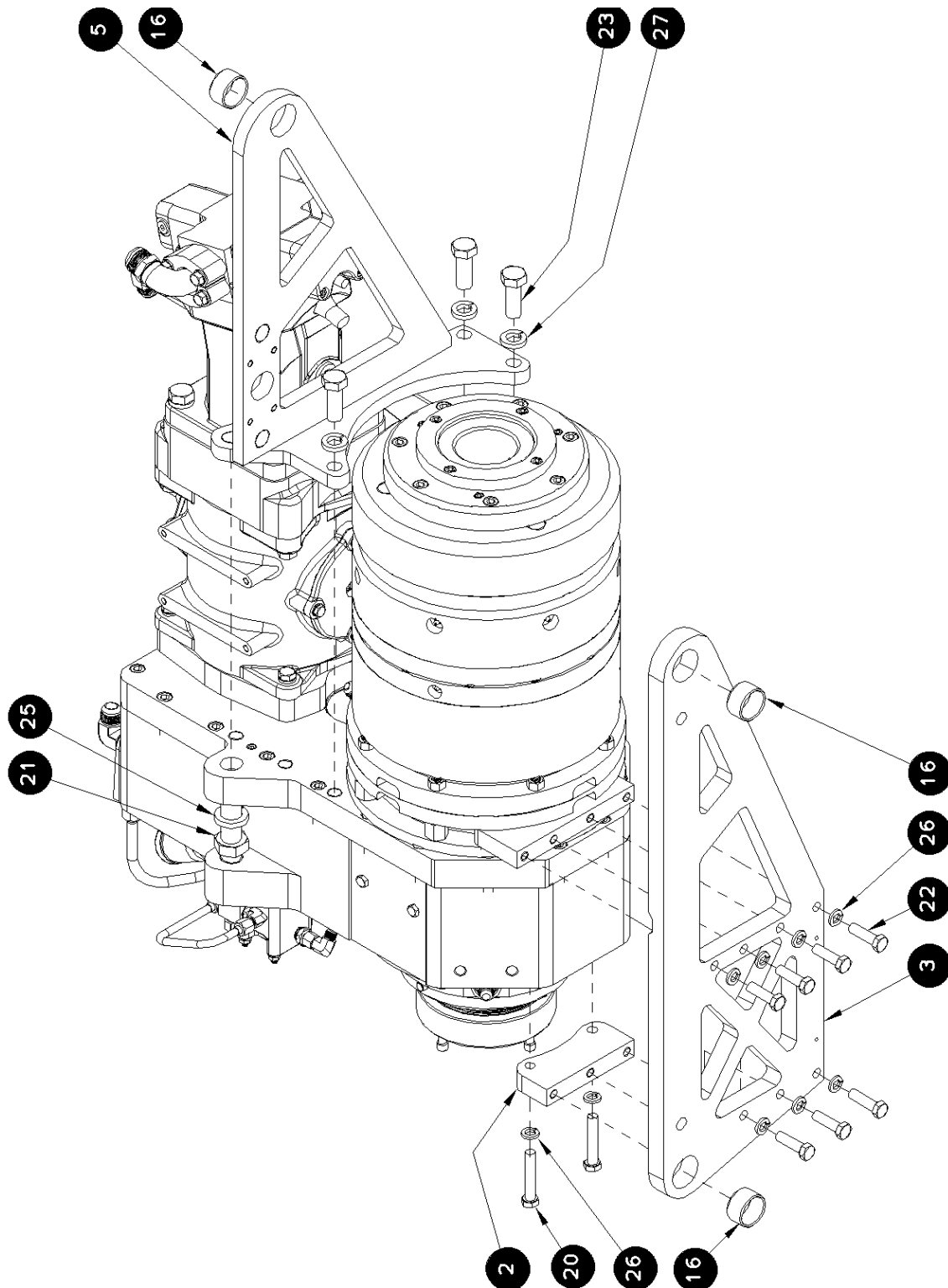




BUMEKS®
GEAR INDUSTRY

DRILL HEAD, PQ

BMC.5404700 DRIVE MODULE, LF90D

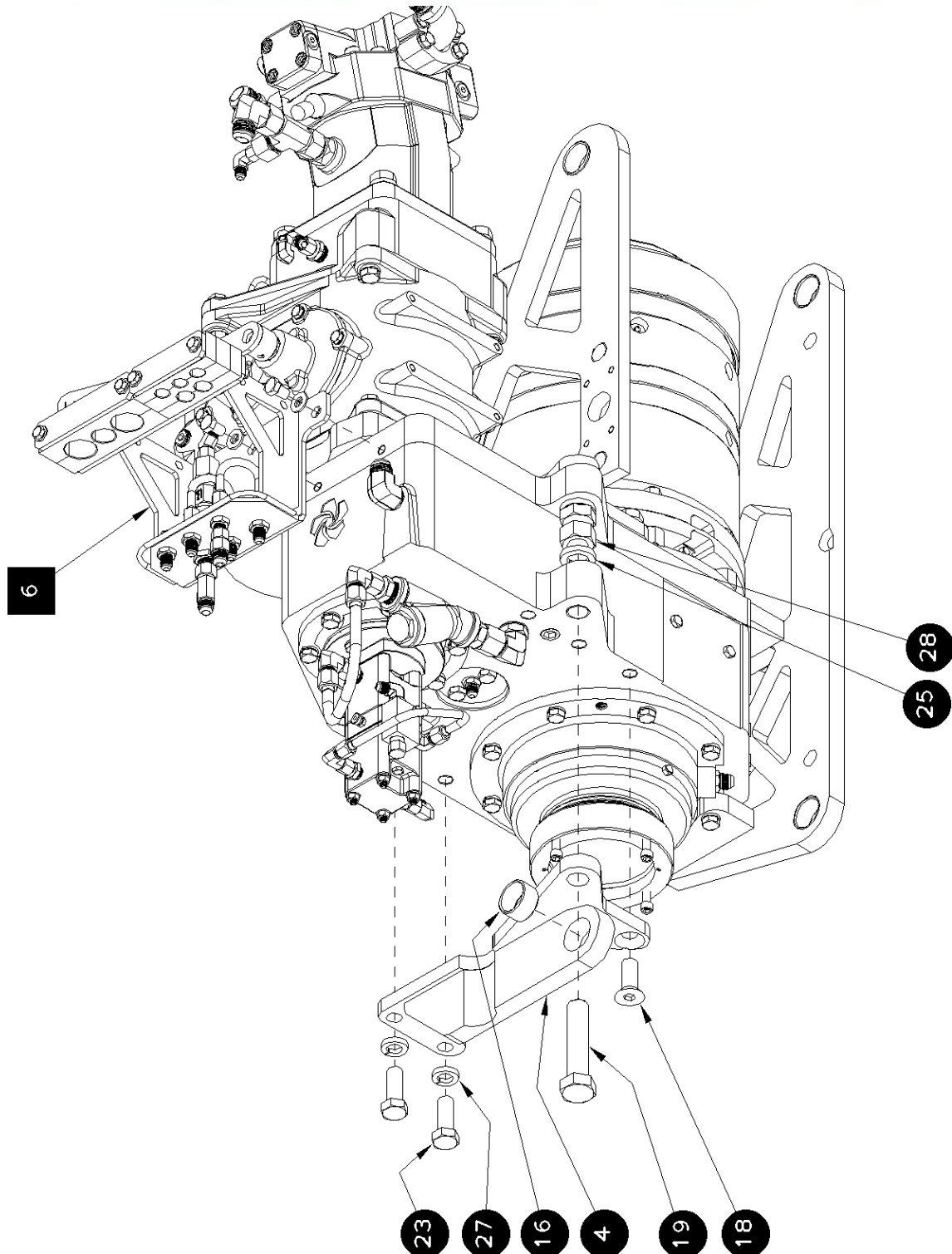




BUMEKS[®]
GEAR INDUSTRY

DRILL HEAD, PQ

BMC.5404700 DRIVE MODULE, LF90D

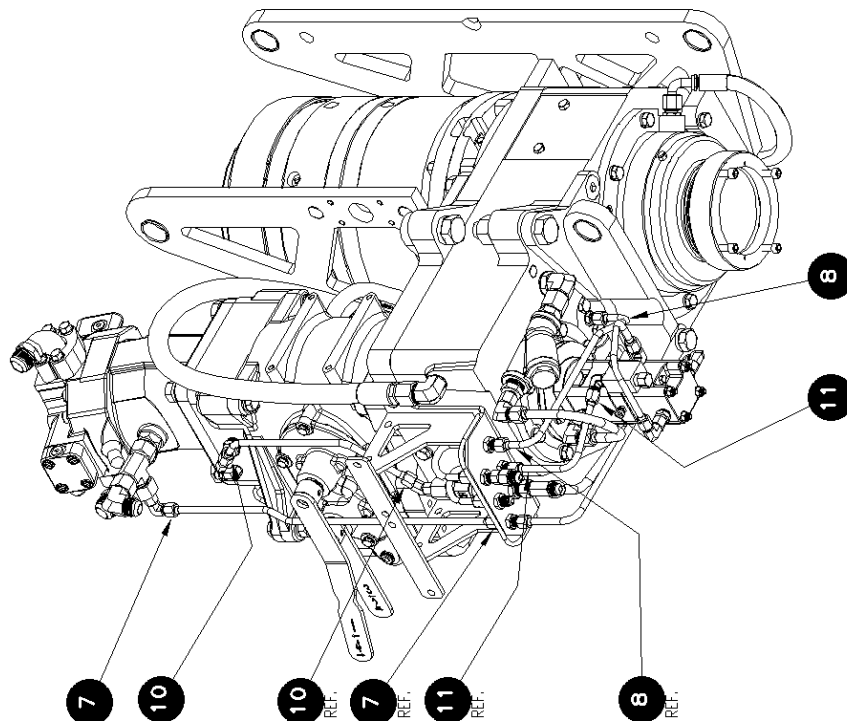
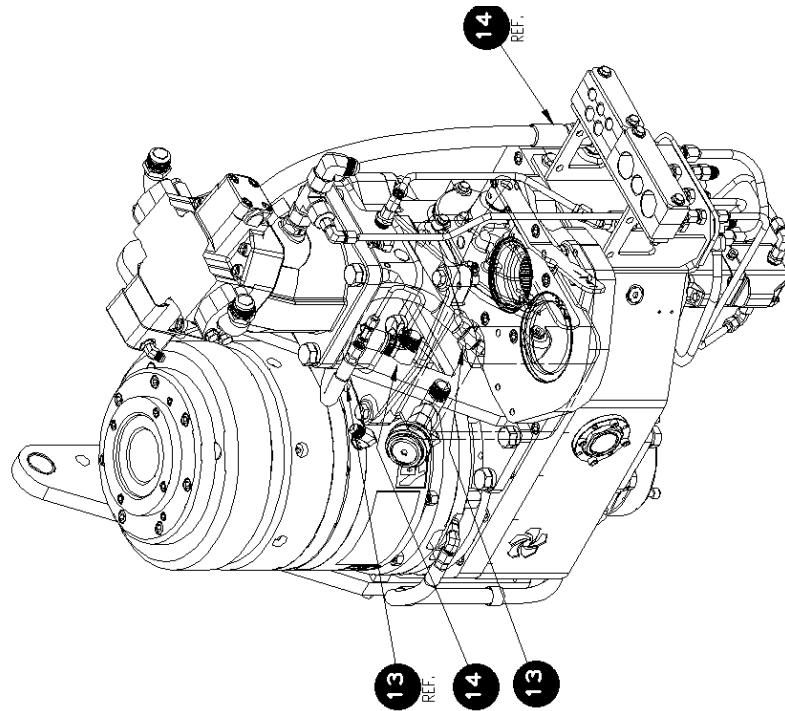




BUMEKS®
GEAR INDUSTRY

DRILL HEAD, PQ

BMC.5404700 DRIVE MODULE, LF90D

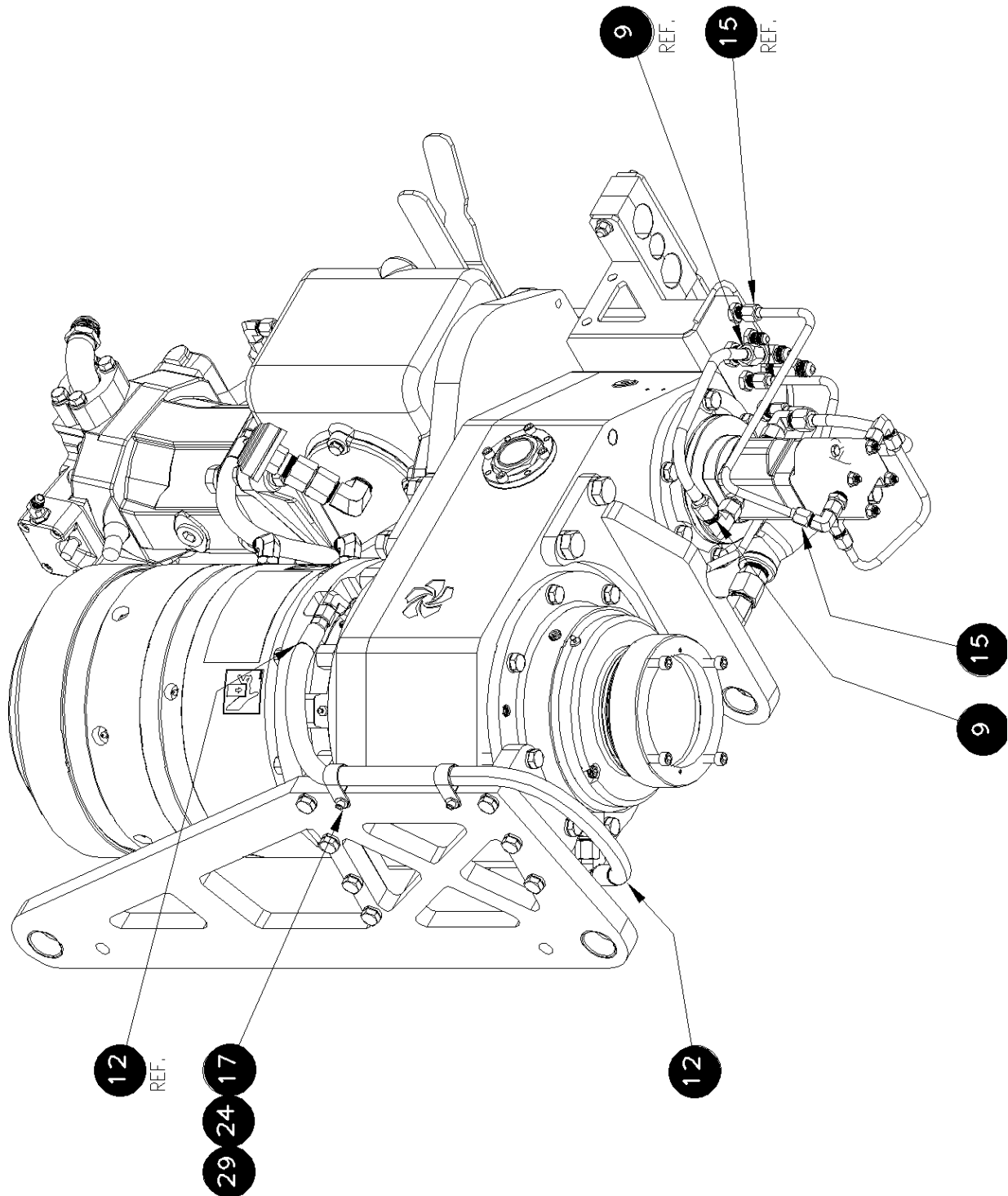




BUMEKS®
GEAR INDUSTRY

DRILL HEAD, PQ

BMC.5404700 DRIVE MODULE, LF90D





BUMEKS[®]
GEAR INDUSTRY

DRILL HEAD, PQ

BMC.5404700 DRIVE MODULE, LF90D

Item	Part No.	Name	Qty	Service
Ref	5404700	DRIVE MODULE, LF90D	1	C
1		HEAD SUB ASM, LF90D	1	E
Comments for Part Num. 5404699				
NOT AVAILABLE FOR SALE AT THIS LEVEL (SHOWN FOR REFERENCE ONLY) FOR A REPLACEMENT DRILL HEAD ASM ORDER 5404700				
2	3547383	MOUNT	1	D
3	3547382	MOUNT	1	D
4	3547380	MOUNT, LOWER	1	D
5	3547381	MOUNT, UPPER	1	D
6	5404584	BULKHEAD ASM, DRILL HEAD	1	C
7	5404579	TUBE ASM, TANK	1	D
8	5404577	TUBE ASM, HEAD LUBE	1	D
9	5404576	TUBE ASM, LUBE PRESSURE	1	D
10	5404578	TUBE ASM, LUBE RELIEF	1	D
11	5404574	TUBE ASM, MOTOR VALVE	1	D
12	5404582	HOSE ASM, 1/2 STR - S90 X 75CM	1	D
13	5404581	HOSE ASM, 1/2 STR - STR X 63CM	1	D
14	5404580	HOSE ASM, 3/4 STR - 90 X 88CM	1	D
15	5404573	TUBE ASM, LUBE MOTOR TANK	1	D
16	3547394	BUSHING	4	B
17	51386	P-CLAMP, VINYL COATED 1" ID	2	D
18	5003575	C/SCR, FH 3/4-10 UNC x 2 F835 BLK	1	F
19	102935	C/SCR, HH 1-8 UNC x 4-1/2 G8 ZP	1	F
20	44532	C/SCR, HH 1/2-13 UNC x 2-3/4 G8 ZP	2	F
21	3540787	C/SCR, HH 1-12 UNF x 3 G8 ZP	1	F
22	44640	C/SCR, HH 1/2-13 UNC x 1-3/4 G8 ZP	7	F
23	44748	C/SCR, HH 3/4-10 UNC X 2 G8 ZP	5	F
24	44710	C/SCR, SH 1/4-20 UNC x 3/4 A574 ZF	2	F
25	44575	L/WASHER, SPLIT SPRING 1" ZP	2	F
26	44521	L/WASHER, SPLIT SPRING 1/2 ZP	9	F
27	44523	L/WASHER, SPLIT SPRING 3/4 ZP	5	F



BUMEKS[®]
GEAR INDUSTRY

DRILL HEAD, PQ

BMC.5404700 DRIVE MODULE, LF90D

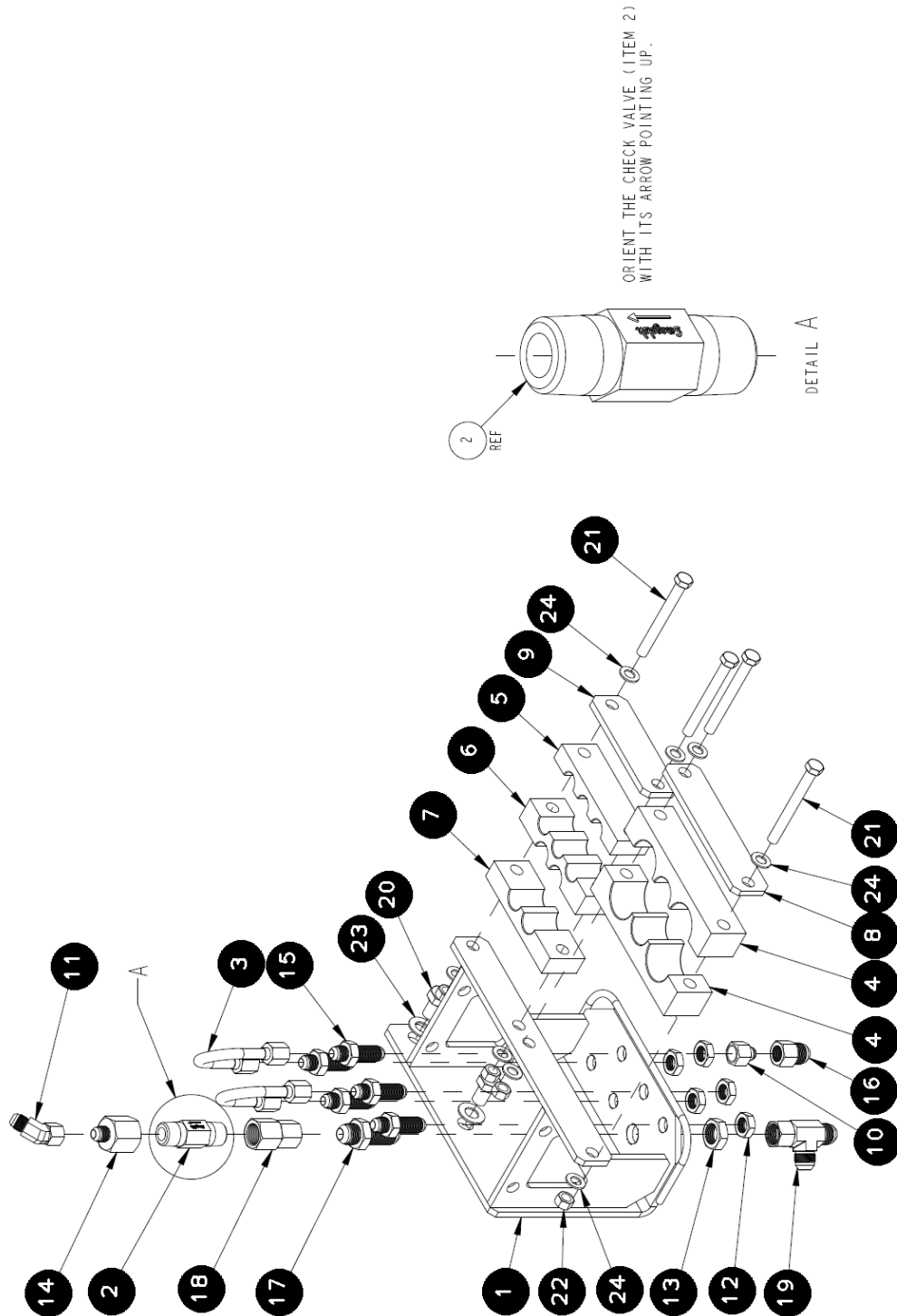
Item	Part No.	Name	Qty	Service
28	44573	NUT, HEX PLAIN 1-8 UNC G8 ZP	1	F
29	46087	WASHER, FLAT SAE 1/4 G8 ZP HARDENED	2	F



BUMEKS[®]
GEAR INDUSTRY

DRILL HEAD, PQ

BMC.5404584 BULKHEAD SUB ASM





BUMEKS®
GEAR INDUSTRY

DRILL HEAD, PQ

BMC.5404584 BULKHEAD SUB ASM

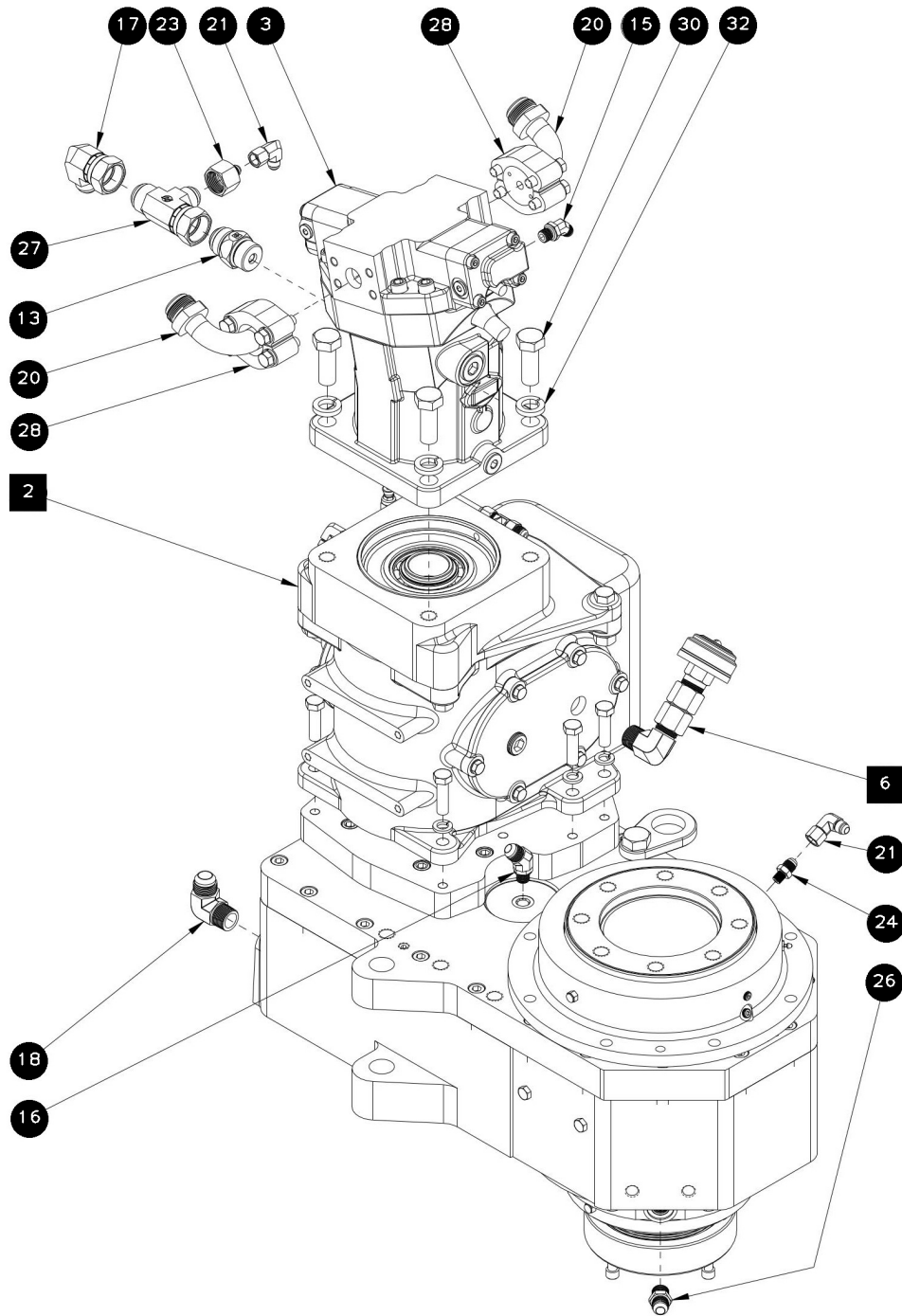
Item	Part No.	Name	Qty	Service
Ref	5404584	BULKHEAD ASM, DRILL HEAD	1	C
1		BULKHEAD WELD'T DRILL HEAD	1	E
2	5006893	VALVE, HYD CHECK INLINE 10.4-24.2BAR C/P	1	C
3	3541154	TUBE ASM, HYD U 3/8" OD	2	D
4	5404585	CLAMP, HOSE NYLON INSERT 39-29-39	2	D
5	5404586	CLAMP, HOSE NYLON INSERT 18-18-18	1	D
6	5404587	CLAMP, HOSE NYLON INSERT	1	D
7	5404588	CLAMP, HOSE NYLON INSERT 21-21	1	D
8	5404589	TOP PLATE, HOSE CLAMP	1	D
9	5404590	TOP PLATE, HOSE CLAMP	1	D
10	3548794	ADAP, HYD STR 6 MJ 6 FJ ORIFICE [0.070"]	1	D
11	39268	ADAP, HYD 45 6 MJ 6 FJS	1	F
12	33881	L/NUT, HYD BULKHEAD 6 JIC	5	F
13	33882	L/NUT, HYD BULKHEAD 8 JIC	1	F
14	44106	ADAP, HYD STR 6 MJ 8 FP	1	F
15	36516	ADAP, HYD STR BULKHEAD 6 MJ	5	F
16	3541658	ADAP, HYD STR 6 FJ 8 MJ	1	F
17	31185	ADAP, HYD STR BULKHEAD 8 MJ	1	F
18	34647	ADAP, HYD STR 8 FP 8 FJS	1	F
19	33429	ADAP, HYD TEE 8 MJ 8 FJS 8 MJ	1	F
20	44529	C/SCR, HH 1/2-13 UNC X 3/4 G8 ZP	2	F
21	44858	C/SCR, HH 3/8-16 UNC x 3-1/2 G8 ZP	4	F
22	44527	NUT, HEX PLAIN 3/8-16 UNC G8 ZP	4	F
23	44621	WASHER, FLAT SAE 1/2 G8 ZP HARDENED	2	F
24	44859	WASHER, FLAT SAE 3/8 G8 ZP HARDENED	8	F



BUMEKS®
GEAR INDUSTRY

DRILL HEAD, PQ

HEAD SUB ASM, LF90D

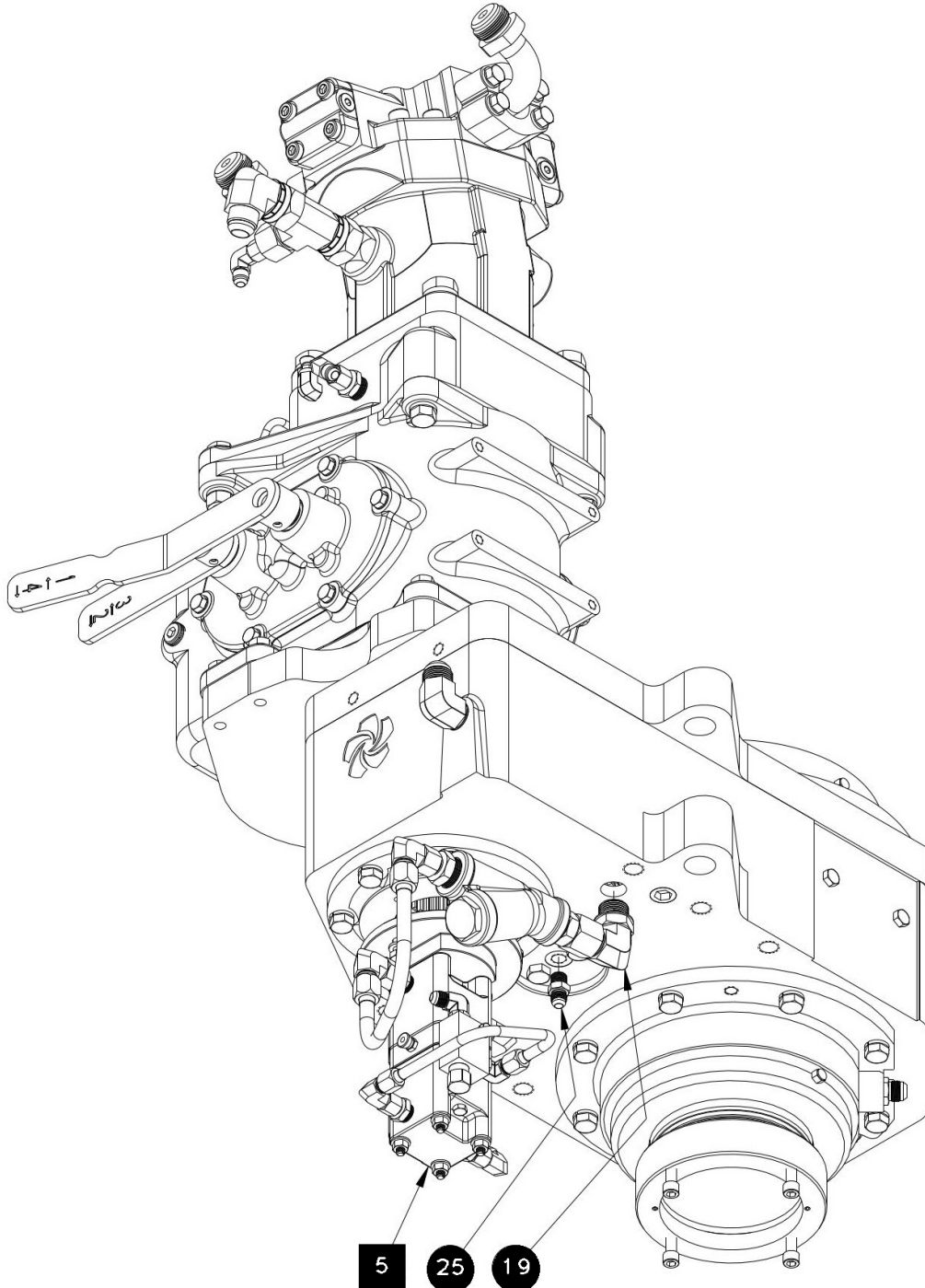




BUMEKS[®]
GEAR INDUSTRY

DRILL HEAD, PQ

HEAD SUB ASM, LF90D

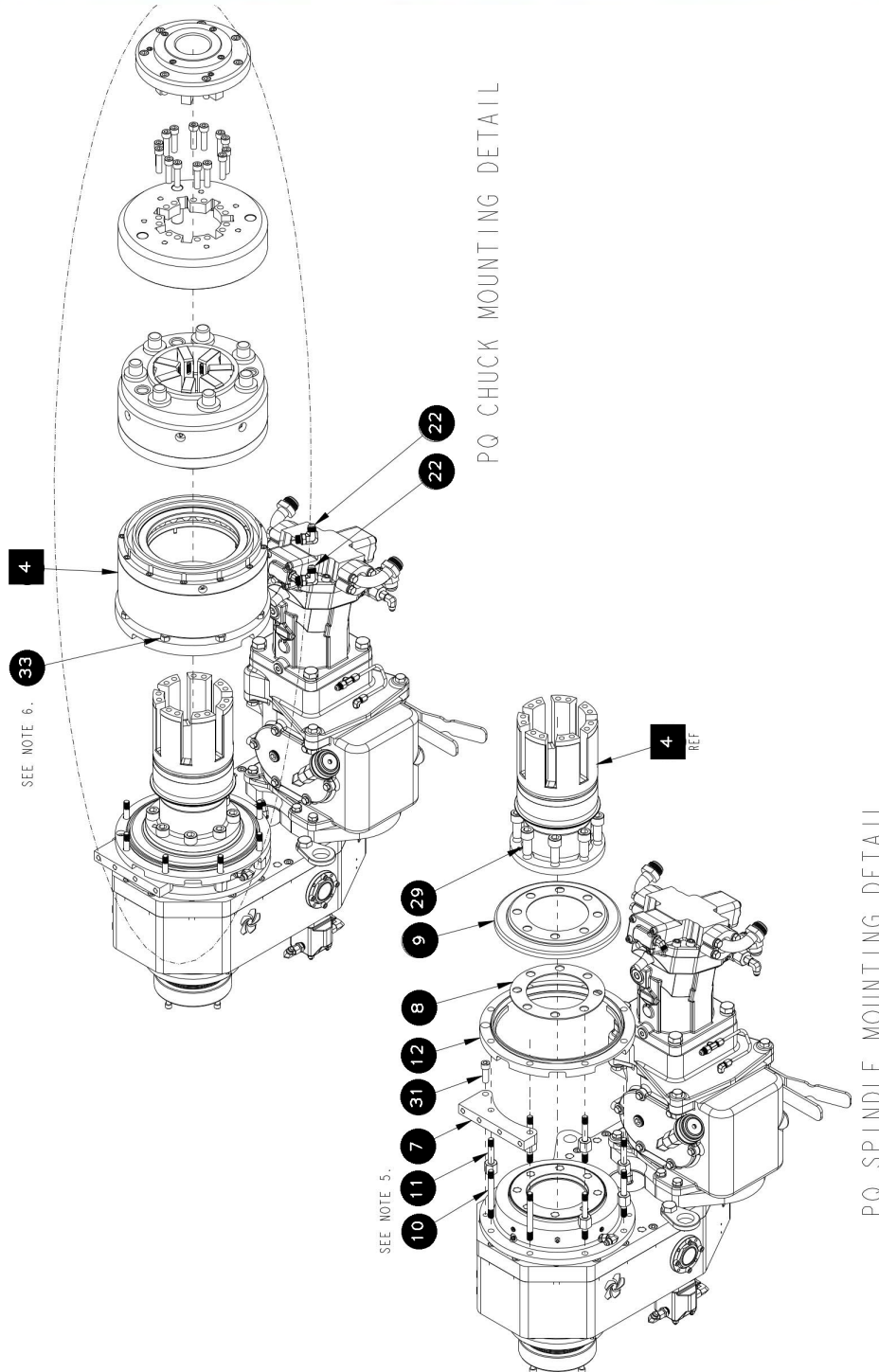




BUMEKS[®]
GEAR INDUSTRY

DRILL HEAD, PQ

HEAD SUB ASM, LF90D





BUMEKS[®]
GEAR INDUSTRY

DRILL HEAD, PQ

HEAD SUB ASM, LF90D

Item	Part No.	Name	Qty	Service
Ref		HEAD SUB ASM, LF90D	1	E
Comments for Part Num. 5404699				
NOT AVAILABLE FOR SALE AT THIS LEVEL (SHOWN FOR REFERENCE ONLY) FOR A REPLACEMENT DRILL HEAD ASM ORDER 5404700				
1	3547367	3547367 HEAD ASM, BASIC	1	X
Comments for Part Num. 3547367				
THIS HEAD CONFIGURATION IS NOW OBSOLETE, TALK TO YOUR TECHNICAL SERVICE GROUP TO ORDER THE MOST RECENT VERSION. LUBE SYSTEM HAS BEEN UPGRADED				
2	5404698	TRANSMISSION ASM, LF90D	1	C
3	5406850	MOTOR, HYD AXIAL PISTON 107 CC	1	C
4	5404800	NITRO-CHUCK ASM, PQ	1	B
5	5404566	PUMP ASM, HEAD LUBRICATION	1	E
6	5404694	BREATHER ASM	1	E
6A	5404693	BREATHER, TANK 10 MIC 3/4 NPT 5PSI	1	B
7	3547384	MOUNTING PLATE, UPPER	1	D
8	5404329	SPACER	1	C
9	5403897	SHIELD, MUD	1	C
10	5404332	STUD, CHUCK	2	C
11	5404330	STUD, CHUCK LONG HEX	6	C
12	5404327	ADAPTER, CHUCK	1	D
13	5406846	VALVE, HYD CHECK INLINE 16 MJ 16 MORB 5 PSI	1	E
15	33663	ADAP, HYD 45 6 MJ 6 MAORB	1	F
16	3541564	ADAP, HYD 45 8 MJ 6 MAORB	1	F
17	5406845	ADAP, HYD 90 12 MJ 16 FJS	1	F
18	16848	ADAP, HYD 90 12 MJ 12 MP	1	F
19	36980	ADAP, HYD 90 12 MJ 12 MAORB	1	F
20	5403560	ADAP, HYD 90 SWEPT 16 MJ 16 SAE FLG CD62	2	F
21	36998	ADAP, HYD 90 6 MJ 6 FJS	2	F
22	36457	ADAP, HYD 90 8 MJ 8 MAORB	2	F
23	41164	ADAP, HYD STR 12 FJ 6 MJ	1	F



BUMEKS[®]
GEAR INDUSTRY

DRILL HEAD, PQ

HEAD SUB ASM, LF90D

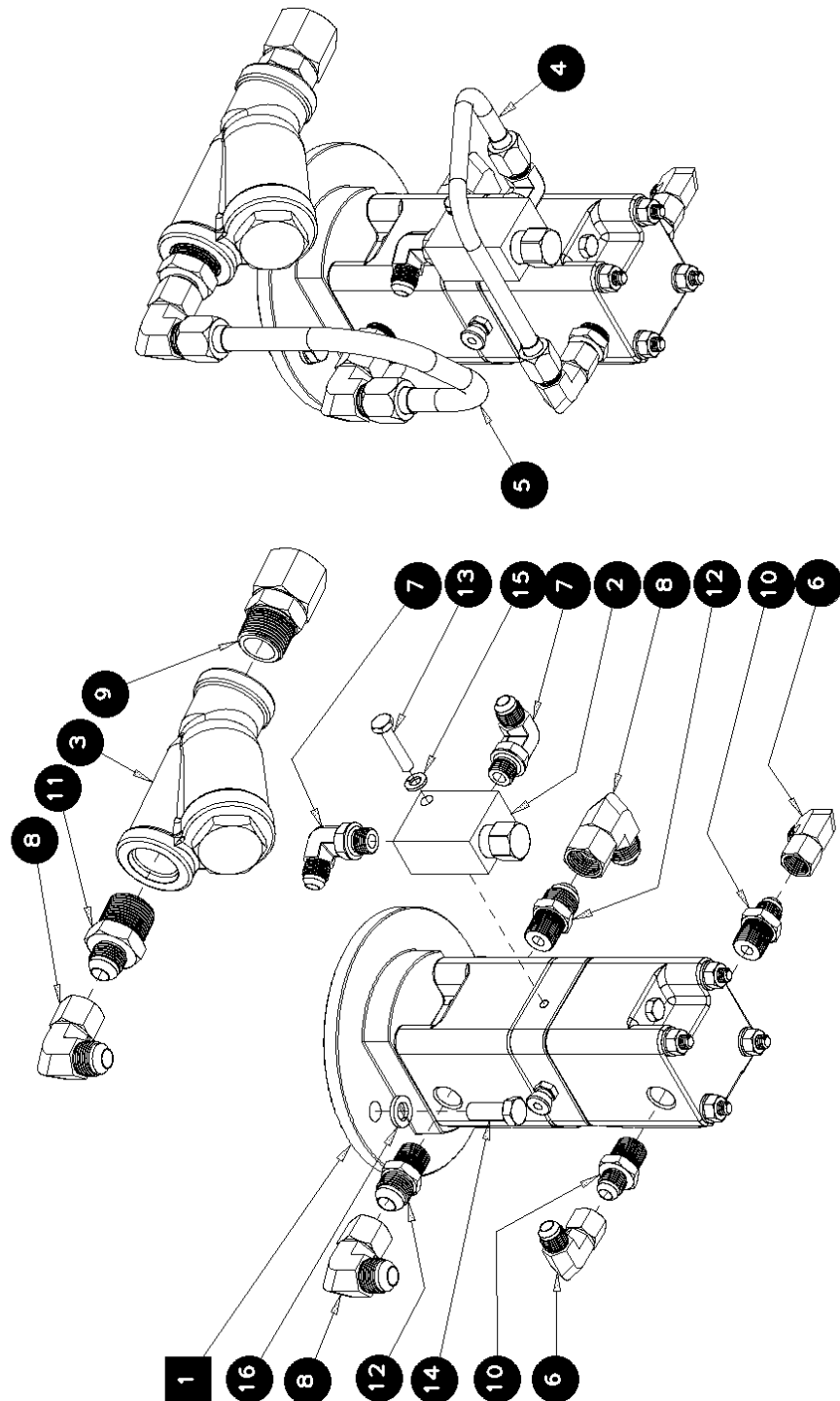
Item	Part No.	Name	Qty	Service
24	33462	ADAP, HYD STR 6 MJ 2 MP	1	F
25	36465	ADAP, HYD STR 6 MJ 6 MORB	1	F
26	36458	ADAP, HYD STR 8 MJ 8 MORB	1	F
27	P14-0517	ADAP, HYD TEE 16 MJ 16 FJS 12 MJ	1	F
28	101530	SPLIT FLANGE KIT, SAE 16 CD62	2	C
29	103243	C/SCR, SH 3/4-10 UNC X 1-3/4 A574 ZF	8	F
30	44748	C/SCR, HH 3/4-10 UNC X 2 G8 ZP	4	F
31	44531	C/SCR, SH 1/2-13 UNC x 1-1/2 A574 ZF	1	F
32	44523	L/WASHER, SPLIT SPRING 3/4 ZP	4	F
33	44525	NUT, HEX PLAIN 1/2-13 UNC G8 ZP	8	F
34	5402618	DECAL, NITRO CHUCK	REF	D
35	3548150	DECAL, PINCH POINTS	REF	D



BUMEKS®
GEAR INDUSTRY

DRILL HEAD, PQ

BMC.5404566 PUMP ASM, HEAD LUBRICATION





BUMEKS[®]
GEAR INDUSTRY

DRILL HEAD, PQ

BMC.5404566 PUMP ASM, HEAD LUBRICATION

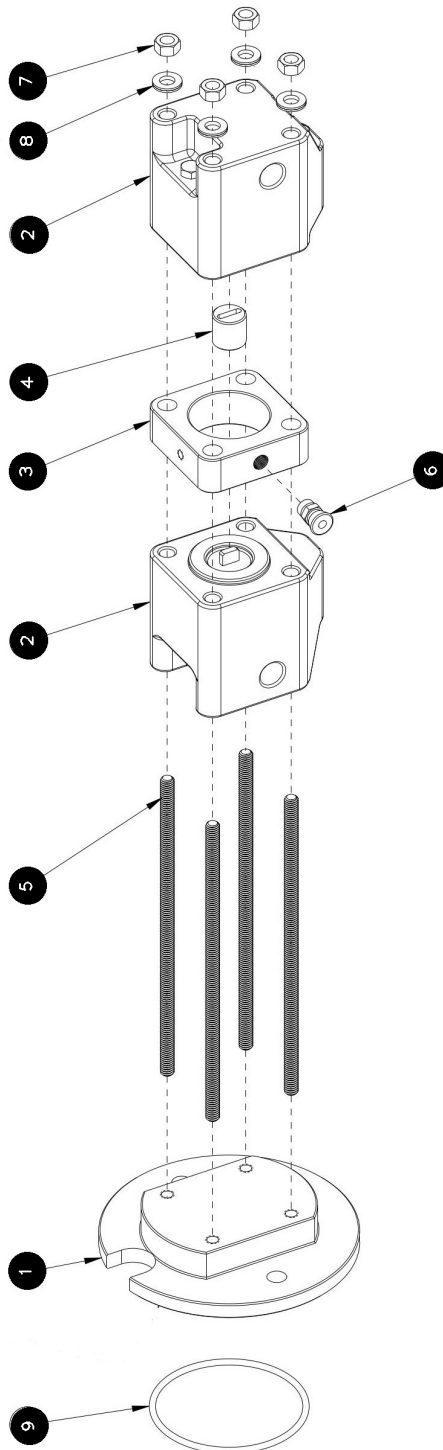
Item	Part No.	Name	Qty	Service
Ref	5404566	PUMP ASM, HEAD LUBRICATION	1	E
1	5404429	PUMP ASM, HEAD LUBRICATION (BARE)	1	C
2	5404379	VALVE, HYD FLOW CONTROL PC 5 LPM	1	C
2A	5406660	CARTRIDGE, HYD FLOW CONTROL PC	1	B
3	5404432	STRAINER, Y TYPE 3/4" NPT 595 MIC	1	C
3A	5404374	ELEMENT, STRAINER	1	C
4	5404575	TUBE ASM, MOTOR PRESSURE	1	D
5	5404572	TUBE ASM, LUBE SUCTION	1	D
6	36998	ADAP, HYD 90 6 MJ 6 FJS	2	F
7	36478	ADAP, HYD 90 6 MJ 6 MAORB	2	F
8	39690	ADAP, HYD 90 8 MJ 8 FJS	3	F
9	102962	ADAP, HYD STR 12 MP 12 FJS	1	F
10	36469	ADAP, HYD STR 6 MJ 6 MP	2	F
11	37202	ADAP, HYD STR 8 MJ 12 MP	1	F
12	19969	ADAP, HYD STR 8 MJ 6 MP	2	F
13	44650	C/SCR, HH 1/4-20 UNC x 1-1/4 G8 ZP	1	F
14	44512	C/SCR, HH 3/8-16 UNC X 1 G8 ZP	2	F
15	44518	L/WASHER, SPLIT SPRING 1/4 ZP	1	F
16	44520	L/WASHER, SPLIT SPRING 3/8 ZP	2	F



BUMEKS[®]
GEAR INDUSTRY

DRILL HEAD, PQ

BMC.5404429 PUMP ASM, HEAD LUBRICATION (BARE)





BUMEKS®
GEAR INDUSTRY

DRILL HEAD, PQ

BMC.5404429 PUMP ASM, HEAD LUBRICATION (BARE)

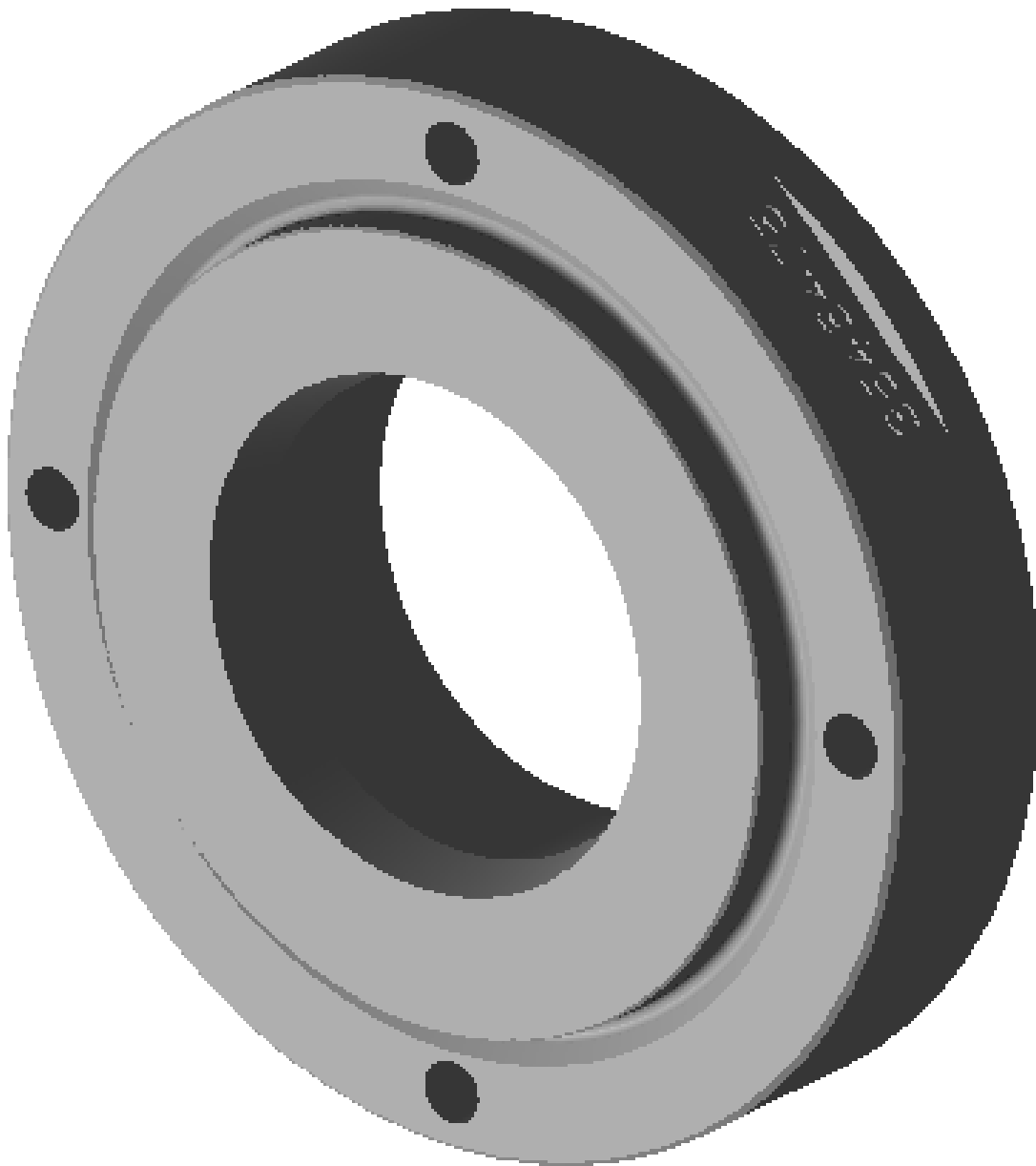
Item	Part No.	Name	Qty	Service
REF	5404429	PUMP ASM, HEAD LUBRICATION (BARE)	1	C
REF	5404386	SEAL KIT, HYD MOTOR PUMP UNIT	1	C
1	5404424	END PLATE, LUBE PUMP	1	D
2	5404428	PUMP, HYD BI-DIRECTIONAL	2	C
3	5404425	ADAPTER, LUBE PUMP	1	D
4	5404426	COUPLING, LUBE PUMP	1	C
5	5404427	TIE ROD, LUBE PUMP	4	D
6	102803	BREATHER, 1/8 NPT	1	C
7	44552	NUT, HEX PLAIN 5/16-18 UNC G8 ZP	4	F
8	6004417	L/WASHER, NORD-LOCK M8 SP ZF LARGE	4	F
9	26178	O-RING, SAE 236 BUNA-N 70D	1	B



BUMEKS®
GEAR INDUSTRY

DRILL HEAD, PQ

BMC.3546455M-F060 OC HEAD LOWER SPINDLE
BUSHING (5.06 SPINDLE)





BUMEKS[®]
GEAR INDUSTRY

DRILL HEAD, PQ

BMC.3546455M-F060 OC HEAD LOWER SPINDLE
BUSHING (5.06 SPINDLE)

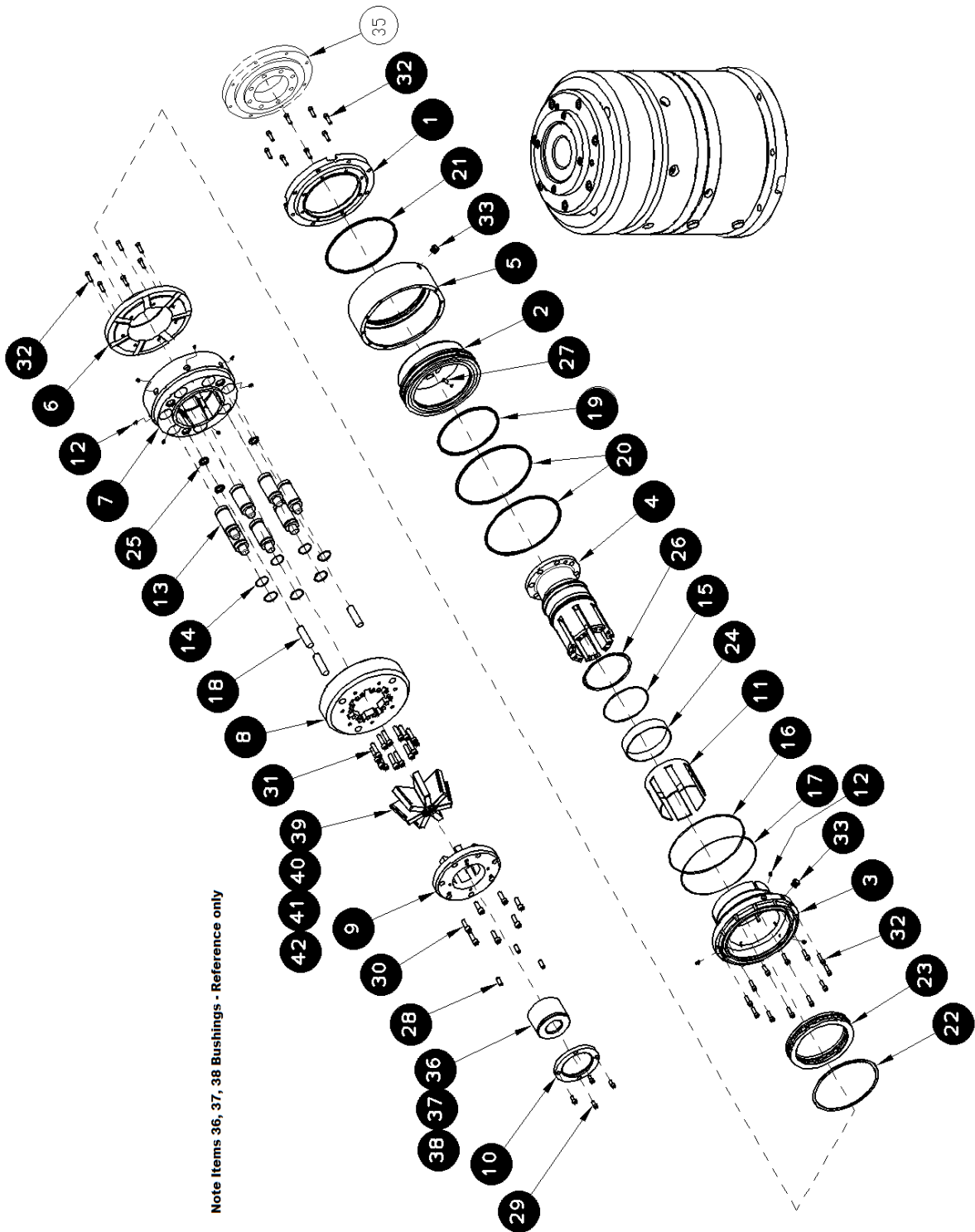
Item	Part No.	Name	Qty	Service
1	3546867	BUSHING, LOWER HEAD BQ 5.06 SPINDLE	1	D
2	3546475	BUSHING, LOWER HEAD NQ/BW 5.06 SPINDLE	1	B
3	3546476	BUSHING, LOWER HEAD HQ/NW 5.06 SPINDLE	1	B



BUMEKS®
GEAR INDUSTRY

DRILL HEAD, PQ

BMC.5404800 CHUCK ASM, PQ



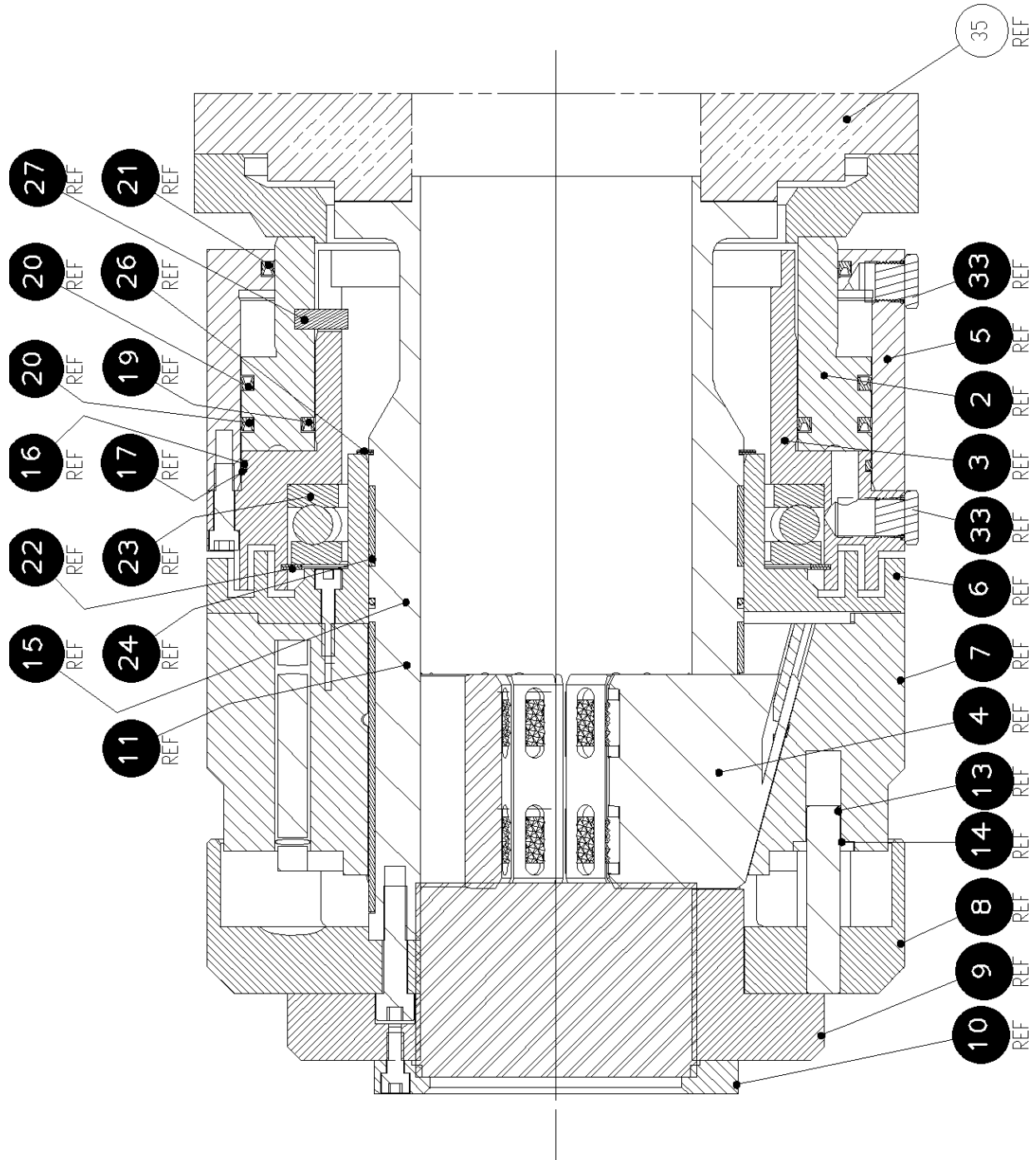
Note Items 36, 37, 38 Bushings - Reference only



BUMEKS®
GEAR INDUSTRY

DRILL HEAD, PQ

BMC.5404800 CHUCK ASM, PQ





BUMEKS®
GEAR INDUSTRY

DRILL HEAD, PQ

BMC.5404800 CHUCK ASM, PQ

Ref	5404800	NITRO-CHUCK ASM, PQ	1	B
REF	3543526	SEAL KIT, PQ CHUCK 5404800	1	A
1	5404326	MOUNTING PLATE, CHUCK	1	C
2	3543479	PISTON, PQ CHUCK NITRO	1	C
3	3543478	INNER CYLINDER, CHUCK NITRO	1	C
4	3546081	SPINDLE, PQ CHUCK 5.06 ID	1	C
5	3543480	CYLINDER, OUTER CHUCK NITRO	1	C
6	3543481	LABRINTH SEAL, CHUCK NITRO	1	C
7	3543515	BOWL, PQ CHUCK NITRO	1	C
8	3546083	RETAINER, SPRING PQ 5.06 ID	1	C
9	3546084	RETAINER, JAW PQ 5.06 ID	1	C
10	3543509	RETAINER, BUSHING GUIDE	1	B
11	3543514	SLEEVE, WEAR SPINDLE UPPER	1	B
12	17447	GREASE NIPPLE, STR 1/4-28 NPTF	10	F
13	5405230	GAS SPRING, NITROGEN	7	B
13A	5405231	SEAL KIT, GAS SPRING 5405230	1	B
13B	5404930	TOOL KIT, GAS SPRING SERVICE	1	D
14	3543519	O-RING, SAE 133 BUNA-N 70D	7	F
15	3543503	O-RING, SAE 261 ID: 6-3/4" CS: 0.139 BUNA-N 70	1	A
16	3543505	O-RING, SAE 276 BUNA-N 70D	1	A
17	3543506	RING, BACKUP PQ CHUCK CYLINDER	1	A
18	3543510	DOWEL PIN, 1 x 3-1/2	3	B
19	3543500	CUP SEAL, INNER URETHANE	1	A
20	5406816	CUP SEAL, OUTER PISTON URETHANE	2	A
21	3543502	CUP SEAL, PISTON URETHANE	1	A
22	3543499	CIRCLIP, SPIRAL INTERNAL 10"	1	B
23	3543496	BEARING, THRUST BALL PQ CHUCK	1	B
24	3543507	RING, SPINDLE WEAR LOWER	1	B
25	3543508	SEAL, GUIDE PIN OIL	3	A
26	3543524	CIRCLIP, SPIRAL EXTERNAL 7"	1	B



BUMEKS[®]
GEAR INDUSTRY

DRILL HEAD, PQ

BMC.5404800 CHUCK ASM, PQ

Item	Part No.	Name	Qty	Service
27	3547565	DOWEL PIN, GROOVED 3/8 DIA x 1 LG	3	B
28	3543521	S/SCR, SH 1/2-13 UNC x 1-1/4 F912 CUP PT BLK	3	F
29	44570	C/SCR, SH 3/8-16 UNC x 3/4 A574 ZF	4	F
30	44531	C/SCR, SH 1/2-13 UNC x 1-1/2 A574 ZF	7	F
31	47226	C/SCR, SH 1/2-20 UNF x 2 A574 BLK	14	F
32	46527	C/SCR, SH 3/8-16 UNC x 1-1/4 A574 ZF	27	F
33	39572	ADAP, HYD PLUG HH 8 MORB	2	F
36	3546862	BUSHING, GUIDE UPPER BQ 5.06 SPINDLE	1	C
37	3546861	BUSHING, GUIDE UPPER BW/NQ 5.06 SPINDLE	1	B
38	3546863	BUSHING, GUIDE UPPER NW/HQ 5.06 SPINDLE	1	B
39	3543494	JAW, BQ PQ-CHUCK	7	B
40	3543291	JAW, NQ PQ-CHUCK	7	B
41	3543290	JAW, HQ PQ-CHUCK	7	B
42	3543289	JAW, PQ PQ-CHUCK	7	B



BUMEKS®
GEAR INDUSTRY

DRILL HEAD, PQ

BMC.5404800 JAWS, NITRO-CHUCK, NITRO-CLAMP





BUMEKS[®]
GEAR INDUSTRY

DRILL HEAD, PQ

BMC.5404800 JAWS, NITRO-CHUCK, NITRO-CLAMP

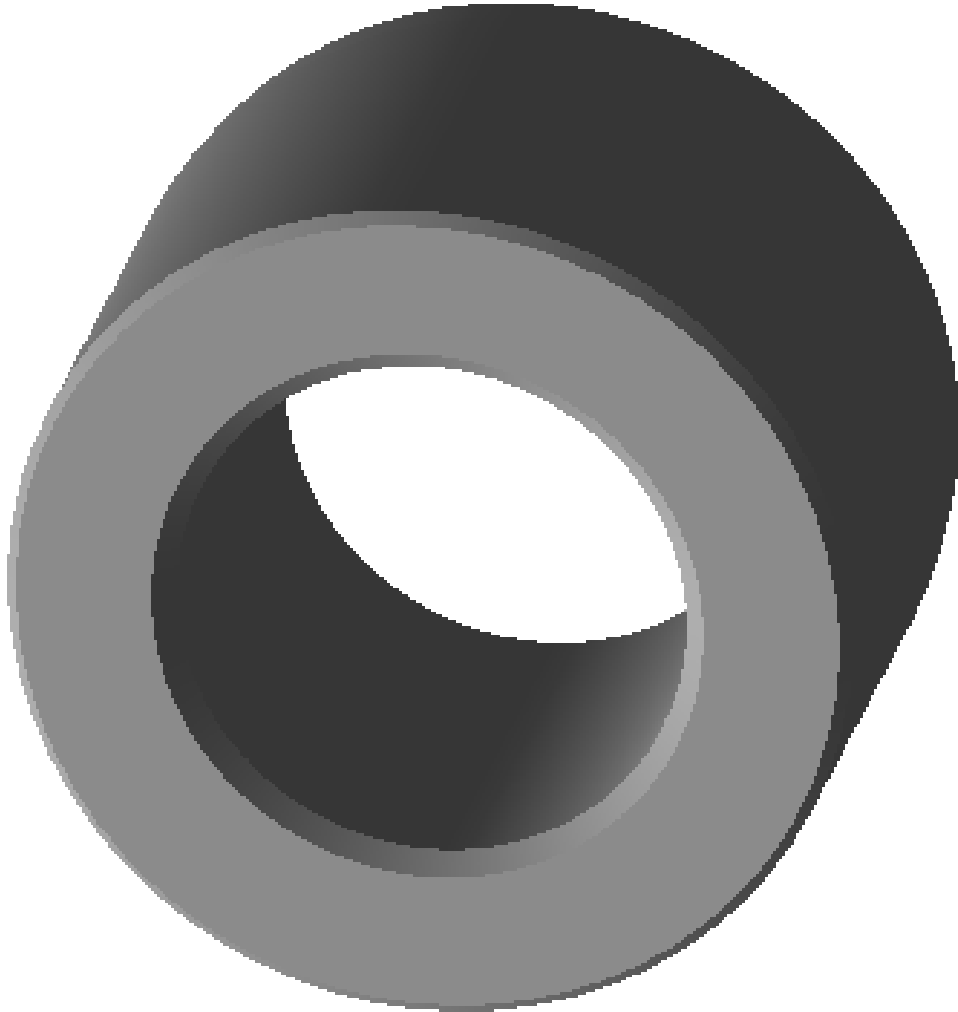
Item	Part No.	Name	Qty	Service
1	3543494	JAW, BQ PQ-CHUCK	7	B
2	3543291	JAW, NQ PQ-CHUCK	7	B
3	3543290	JAW, HQ PQ-CHUCK	7	B
4	3543289	JAW, PQ PQ-CHUCK	7	B



BUMEKS®
GEAR INDUSTRY

DRILL HEAD, PQ

BMC.5404800 UPPER GUIDE BUSHING (5.06 SPINDLE)





BUMEKS[®]
GEAR INDUSTRY

DRILL HEAD, PQ

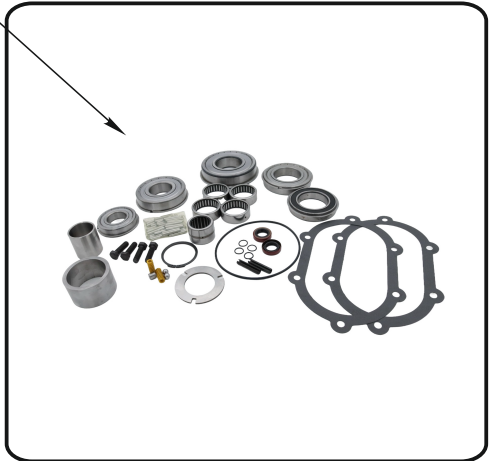
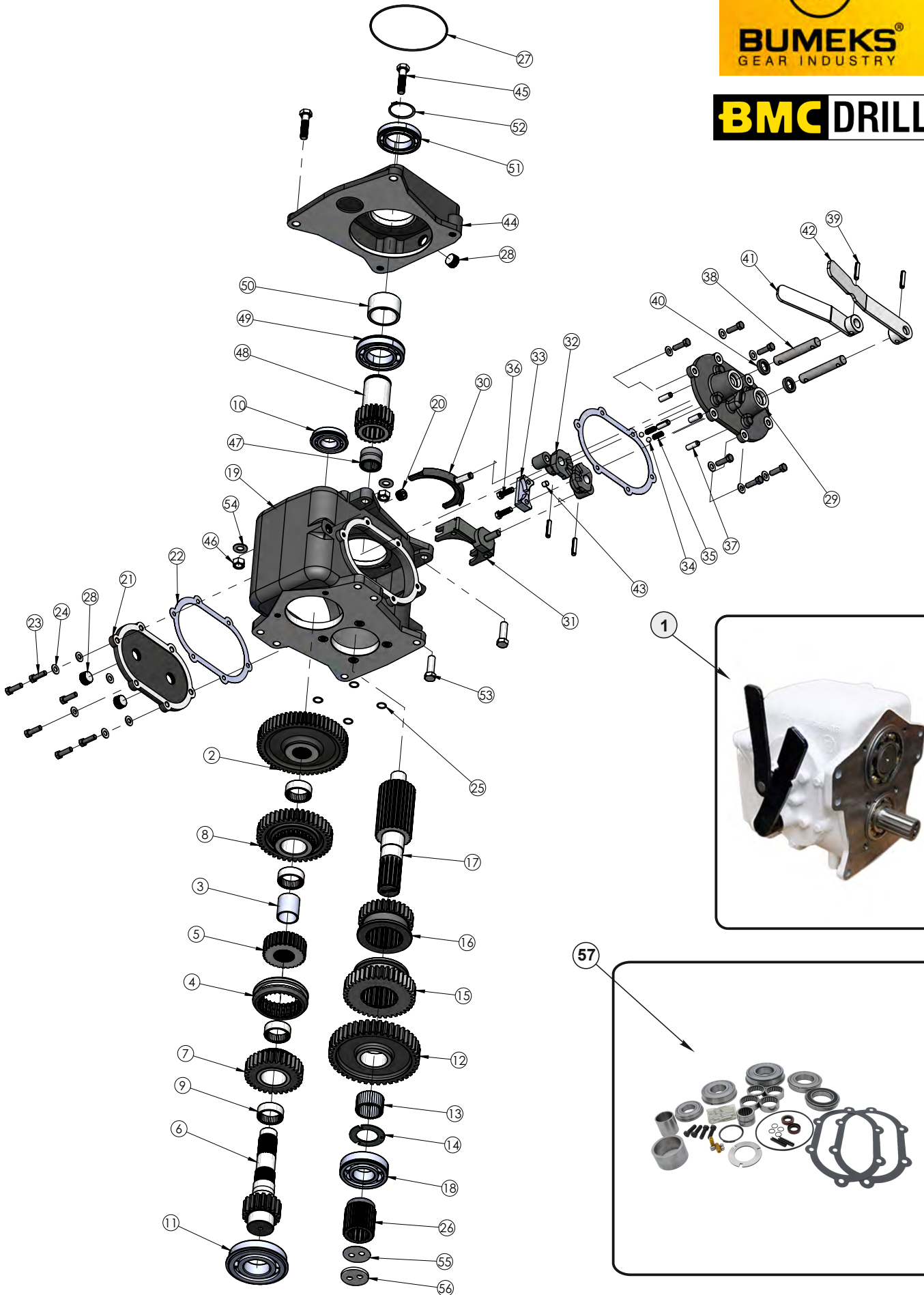
BMC.5404800 UPPER GUIDE BUSHING (5.06 SPINDLE)

Item	Part No.	Name	Qty	Service
1	3546862	BUSHING, GUIDE UPPER BQ 5.06 SPINDLE	1	C
2	3546861	BUSHING, GUIDE UPPER BW/NQ 5.06 SPINDLE	1	B
3	3546863	BUSHING, GUIDE UPPER NW/HQ 5.06 SPINDLE	1	B



BUMEKS
GEAR INDUSTRY

BMC DRILL



	Item #	Bumeks #	Board Longyear #	Description	Qty
	1	B000.000351	103815	HMD12700 COMPLETE TRANSMISSION	1
	2	B000.000351-12	95356	GEAR, COUNTERSHAFT	1
	3	B000.000351-17	95357	SLEEVE, BEARING	1
	4	B000.000351-16	95358	COLLAR, SHIFTING	1
	5	B000.000351-15	95359	GEAR	1
	6	B000.000351-11	95360	COUNTERSHAFT	1
	7	B000.000351-14	95361	GEAR, 2ND COUNTERSHAFT	1
	8	B000.000351-13	95362	GEAR, 3RD COUNTERSHAFT	1
	9	B000.000351-32	95363	NDL BEARING 2812 53.975 X 44,45 X 19,05 , ROLLER	4
	10	B000.000351-37	3549020	BEARING 6207 ZZ C372 X 35 X 17	1
	11	B000.000351-33	95365	BEARING 6311 ZZ120 X 55 X 29	1
	12	B000.000351-06	95366	GEAR, MAINSHAFT LO	1
	13	B000.000351-35	95367	ROLLER 4,725 X 31,45	34



BUMEKS®
GEAR INDUSTRY

BMC DRILL

	Item #	Bumeks #	Board Longyear #	Description	Qty
	14	B000.000351-06-1	3541202	WASHER, THRUST (REWORK)	1
	15	B000.000351-07	95369	GEAR, MAINSHAFT 2ND	1
	16	B000.000351-08	95370	GEAR, MAINSHAFT 3RD	1
	17	B000.000351-05	95371	SHAFT, MAIN	1
	18	B000.000351-34	95372	6309 ZZ C3100 X 45 X 25 BEARING, BALL	1
	19	B000.000351-01	5002674	HOUSING, TRANSMISSION REWORKED	1
	20	B000.000351-29	3540641	PLUG, MAGNETIC	1
	21	B000.000351-03	3540642	COVER, SIDE	1
	22	B000.000351-30	95377	GASKET, SIDE COVER	2
	23	B000.000351-42	44512	C/SCREW, HH 3/8 UNC X 1 LG	12
	24	B000.000351-43	95398	WASHER, SEALING 3/8" - 95398	12
	25	B000.000351-54	95378	O-RING - 95378	4
	26	B000.000351-10	3548809-306485	SPLINED ADAPTER - 3548809	1



BUMEKS®
GEAR INDUSTRY

HMD12700 Piston Pump

BMC DRILL

	Item #	Bumeks #	Board Longyear #	Description	Qty
	27	B000.000351-47	3540646	O-RING - 3540646	1
	28	B000.000351-28	3540643	PIPE PLUG, SIDE COVER NPT 3/4 13G - 3540643	3
	29	B000.000351-04	95402	CAP, SIDE SHIFT - 95402	1
	30	B000.000351-19	95403	FORK, 2ND & 3RD SHIFTER - 95403	1
	31	B000.000351-20	3542442	FORK, EXTENDED SLIDING - 3542442	1
	32	B000.000351-23	95405	SECTOR, SHIFTER - 95405	2
	33	B000.000351-21	95406	BLOCK, INHIBITOR - 95406	1
	34	B000.000351-40	95407	BALL - 95407	3
	35	B000.000351-52	3546620	DIE SPRING, EXTRA HEAVY-HEAVY 10 X 25 PSE - 3546620	2
	36	B000.000351-41	95409	C/SCREW, HH 5/8 UNF X 1" DRILLED HEAD - 95409	2
	37	B000.000351-26	95410	PIN, ROLL 5/16 DIA X 1.5 LG - 95410	4
	38	B000.000351-22	95411	SHAFT, SHIFT SELECTOR - 95411	2
	39	B000.000351-27	95413	PIN, ROLL 5/16 DIA X 1.5 - 95413	2

BMC DRILL

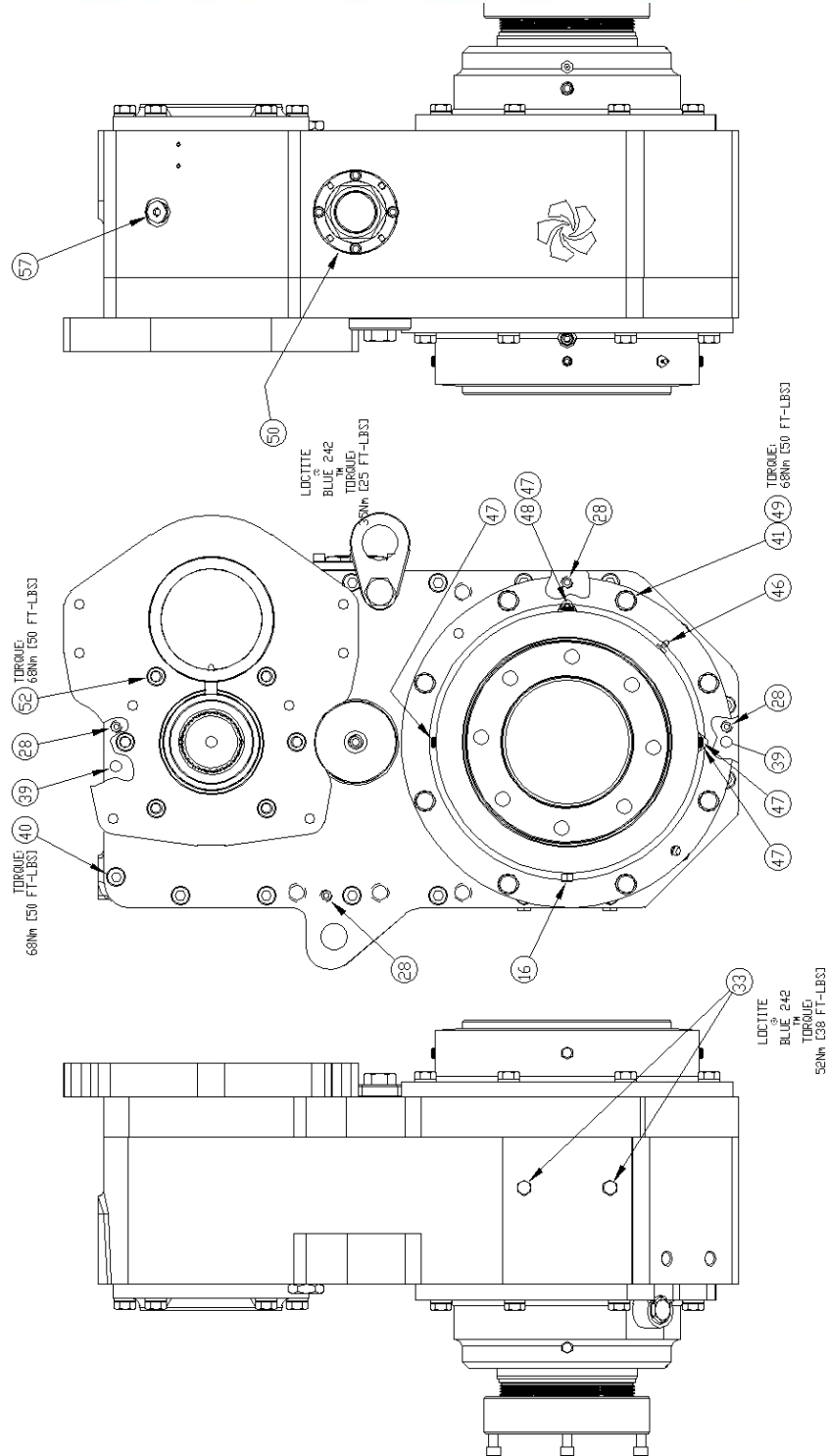
	Item #	Bumeks #	Board Longyear #	Description	Qty
	40	B000.000351-36	95414	19*32*7 TB2 NBR CHO SEAL, RING - 95414	2
	41	B000.000351-24	3541838	SHIFTER HANDLE, FUNK TRANSMISSION (1ST & 4TH) - 3541838	1
	42	B000.000351-25	3541839	SHIFTER HANDLE, FUNK TRANSMISSION (2ND & 3RD) - 3541839	1
	43	B000.000351-53	3546622	DISC, TRANSMISSION INTERLOCK - 3546622	1
	44	B000.000351-02	3549314	ADAPTER, MOTOR REWORK - 3549314	1
	45	B000.000351-48	95416	SCREW 9/16 UNC X 2.25 - 95416	2
	46	B000.000351-51	95417	9/16 UNC WASHER - 95417	2
	47	B000.000351-31	79792	NDL BEARING HJ-202820 44,45X 31,75 X 31,75 , TRANSMISSION PILOT - 79792	1
	48	B000.000351-09	3540645	GEAR, INPUT SHAFT - 3540645	1
	49	B000.000351-38	95418	BEARING, BALL 6211 ZZ C3 100 X 55 X 21 - 95418	1
	50	B000.000351-18	95419	SPACER, BEARING - 95419	1
	51	B000.000351-39	95420	BEARING 6011 EE C3 90 X 55 X 18 - 95420	1
	52	B000.000351-44	95421	RING, SNAP - 95421	1
	53	B000.000351-49	95422	SCREW 9/16 UNC X 1.75 - 95422	2
	54	B000.000351-50	95423	WASHER - 95423	4
	55	B000.000351-45	103281	SHIM, CPN FLG - 103281	6
	56	B000.000351-46	95389	RETAINER - 95389	1
	57	B000.3541060	3541060	OVERHOUL KIT, FUNK TRANS HMD12700	1



BUMEKS[®]
GEAR INDUSTRY

DRILL HEAD, PQ

BMC.3547367 HEAD ASM, BASIC





BUMEKS[®]
GEAR INDUSTRY

DRILL HEAD, PQ

BMC.3547367 HEAD ASM, BASIC

Item	Part No.	Name	Qty	Service
REF	3547367	3547367 HEAD ASM, BASIC	1	X
Comments for Part Num. 3547367				
THIS HEAD CONFIGURATION IS NOW OBSOLETE, TALK TO YOUR TECHNICAL SERVICE GROUP TO ORDER THE MOST RECENT VERSION. LUBE SYSTEM HAS BEEN UPGRADED				
REF	5000545	OVERHAUL KIT, PQ HEAD MAJOR (INCLUDES SEAL KIT)	1	C
REF	5000405	SEAL KIT, BASIC HEAD	1	B
1		HOUSING, MAIN	1	E
2	3547369	COVER, HOUSING	1	D
3	3547368	CARRIER, TRANSMISSION INPUT	1	D
4	306476	CAP, BEARING UPPER OUTPUT	1	D
5	306477	CAP, BEARING LOWER OUTPUT	1	D
6	3547372	COVER, PUMP MOUNTING	1	D
7	3547404	O-RING, SAE 237 BUNA N 70D	1	A
8	306468	GEAR, OUTPUT	1	C
9	3547371	SHAFT, INTERMEDIATE - IDLER	1	C
10	3546756	SPINDLE ASM, PQ HEAD 5.06 ID	1	C
11	306466	PINION AND SHAFT-INPUT	1	C
12	306481	SPACER, INTERMEDIATE	1	C
13	3547370	PLATE, INTERMEDIATE LOCK	1	D
14	306483	RING-INNER LOCK	1	C
15	306484	RING-OUTER LOCK	1	C
16	5006702	GREASE FITTING, RELIEF 1/8 NPT	2	F
17	306487	SHIM-.005 THICK	3	A
18	306488	SHIM-.007 THICK	3	A
19	306489	SHIM-.020 THICK	1	A
20	3548734	O-RING, SAE 276 VITON 75D	1	A
21	44661	S/SCR, SH 1/4-20 UNC x 3/4 F912 CUP PT ZP	2	F
22	3546085	NUT REWORK, SPINDLE PQ HEAD	1	C
23	306493	SPACER-OUTPUT	1	D
24	3548735	O-RING, SAE 270 VITON 75D	1	A



BUMEKS[®]
GEAR INDUSTRY

DRILL HEAD, PQ

BMC.3547367 HEAD ASM, BASIC

Item	Part No.	Name	Qty	Service
25	306585	BEARING CUP, TAPERED ROLLER OD 5.75	2	C
26	306587	BEARING CONE, TAPERED ROLLER ID 3.625"	2	C
27	3540433	GEAR ASM, INTERMEDIATE PQ HEAD	1	C
28	45676	S/SCR, SH 1/2-13 UNC x 3/4 F912 CUP PT ZP	4	F
29	306590	BEARING CUP, TAPERED ROLLER OD 8.875"	1	C
30	306592	BEARING CONE, TAPERED ROLLER ID 6.25"	1	C
31	306593	BEARING CUP, TAPERED ROLLER OD 9.75	1	C
32	306594	BEARING CONE, TAPERED ROLLER ID 6.875"	1	C
33	44538	C/SCR, HH 3/8-16 UNC x 1/2 G8 ZP	2	F
34	306599	SEAL, OIL ID 5.75" OD 6.625"	2	A
35	306600	SEAL, OIL ID 8.5" OD 9.75	2	A
36	48761	O-RING, SAE 235 BUNA-N 70D	1	A
37	306603	CIRCLIP, EXTERNAL 6.75"	1	C
38	3548736	O-RING, SAE 257 VITON 75D	2	A
39	26843	DOWEL PIN, 1/2 DIA X 1-3/4 LG	2	F
40	46102	C/SCR, SH 1/2 UNC x 1-3/4 A574 ZF	19	F
41	44510	C/SCR, HH 1/2-13 UNC X 1-1/2 G8 ZP	24	F
42	3540054	PLUG, MAGNETIC SH 3/4 NPT SQ RECESS	1	D
43	306608	C/SCR, HH 3/8-16 UNC x 1-1/4 DRILLED HEAD	6	C
44	39572	ADAP, HYD PLUG HH 8 MORB	1	F
45	44766	WIRE, O.47 DIA SAFETY	A/R	A
46	16634	GREASE FITTING, STR 1/8-27 NPT	2	F
47	100976	ADAP, HYD PLUG SH 2 MP	4	F
48	22079	ADAP, HYD PLUG SH 1/4 NPT	3	F
49	44521	L/WASHER, SPLIT SPRING 1/2 ZP	22	F
50	5404464	COVER ASM	1	D
51	28051	ADAP, HYD PLUG SH 3/4 MP	2	F
52	44531	C/SCR, SH 1/2-13 UNC x 1-1/2 A574 ZF	6	F
53	3541286	LUG, LIFTING	1	D
54	46098	C/SCR, HH 3/4-10 UNC x 1-1/2 G8 ZP	1	F



DRILL HEAD, PQ

BMC.3547367 HEAD ASM, BASIC

Item	Part No.	Name	Qty	Service
55	44570	C/SCR, SH 3/8-16 UNC x 3/4 A574 ZF	4	F
56	35596	ADAP, HYD PLUG HH 12 MORB	1	F
57	49229	ADAP, HYD PLUG SH 8 MORB	1	F

Comments for Page: 3547367 HEAD ASM, BASIC

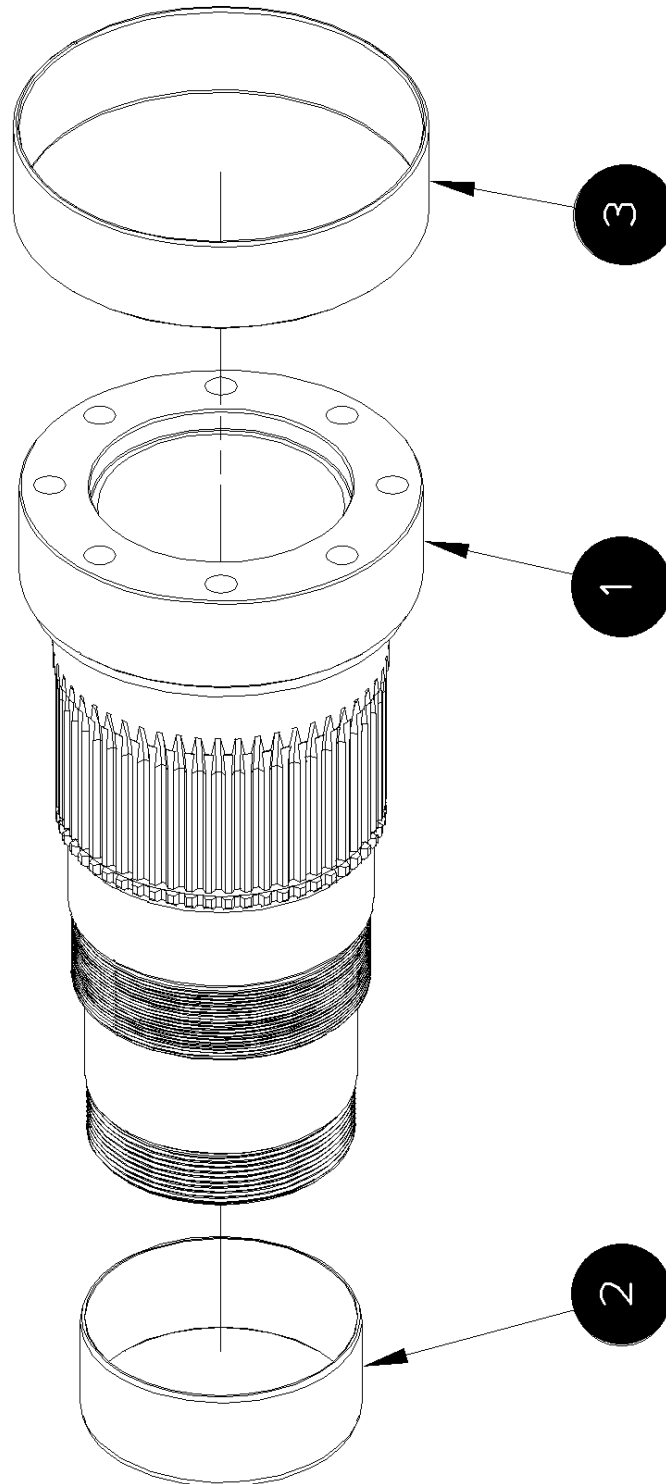
ITEMS 7, 17, 18, 19, 20, 24, 34, 35, 36, 38, 45 ARE INCLUDED IN GEARBOX SEAL KIT #5000405 AND OVERHAUL KIT 5000545



BUMEKS[®]
GEAR INDUSTRY

DRILL HEAD, PQ

BMC.3546756 SPINDLE ASM, PQ HEAD 5.06 ID





BUMEKS[®]
GEAR INDUSTRY

DRILL HEAD, PQ

BMC.3546756 SPINDLE ASM, PQ HEAD 5.06 ID

Item	Part No.	Name	Qty	Service
Ref	3546756	SPINDLE ASM, PQ HEAD 5.06 ID	1	C
1		SPINDLE, (BARE) ORDER ASM 3546756	1	E
2	3546752	WEAR SLEEVE, PQ SPINDLE SMALL	1	B
3	306494	WEAR SLEEVE, PQ SPINDLE LARGE	1	B



This brochure contains general information and pictures about BUMEKS GEAR CO.LTD. and its products. They might be subject to change and modification. Bumeks Gear reserves the right to change specifications and design of its products without notice. While Bumeks Gear products are of high quality, they are not originals. Bumeks Gear doesn't have any affiliation to OEM companies and brands described in this brochure. All the OEM numbers and trademark names are used for reference purposes only and belong to their respective owners.



BUMEKS®

BMC DRILL

Büyükkayacık Osb Mah. 407 Nolu sk. No : 4 Selçuklu / Konya

+90 505 039 45 67

eng/esp : sales3@bumeks.com.tr

+90 505 911 21 42

русский : sales2@bumeks.com.tr



www.bumeks.com.tr



info@bmcd drill.com