

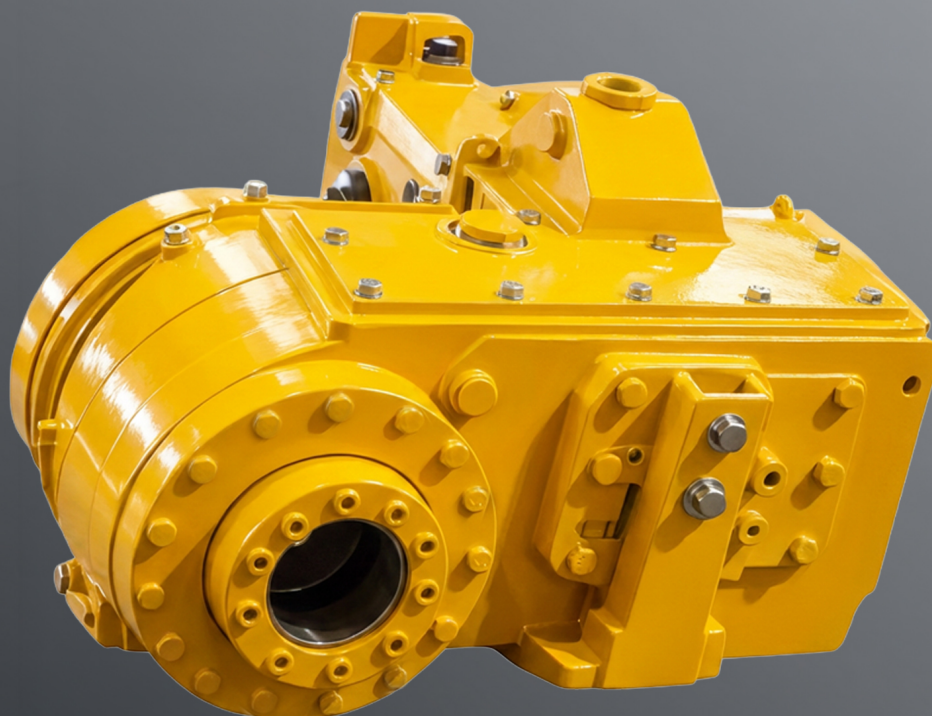
Bumeks Gear Industry
Drive Module



BUMEKS®
GEAR INDUSTRY

BMC DRILL

ROTATION UNIT



DRILL HEAD PQ

BMC.3719004093

CS14



Shift to Higher GEAR

BUMEKS®
GEAR INDUSTRY

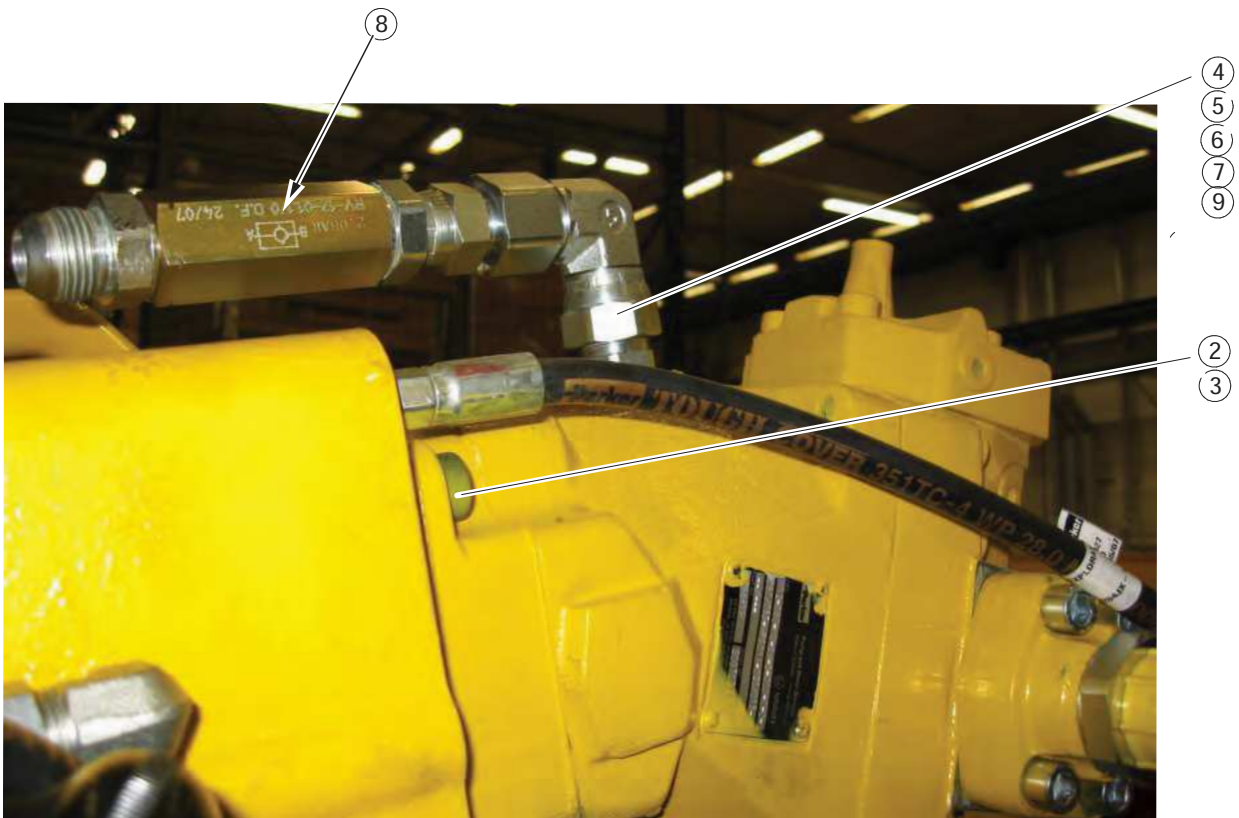




BUMEKS[®]
GEAR INDUSTRY

DRILL HEAD, PQ

BMC.3719004093 Rotation unit with hydraulic motor





BUMEKS®
GEAR INDUSTRY

DRILL HEAD, PQ

BMC.3719004093 Rotation unit with hydraulic motor

| 3719 0040 93 Rotation unit with hydraulic motor | | | | |
|--|--------------|----------|------------------------|-------------------------------|
| Pos. No. | Part number | Quantity | Description | Remark |
| | 3760 0129 47 | 1 | Rotation unit CS | Without hydraulic motor |
| 2 | 3719 0051 80 | 1 | Hydraulic motor 80cc | Seal kit available, see below |
| 3 | 0211 5366 00 | 4 | Cap screw | UC6S 1/2" UNC x 45 |
| 4 | 3176 6535 00 | 1 | Nipple | JIC 1.1/16 X UNF 7/8 |
| 5 | 3715 0589 00 | 1 | Elbow | UN 1 1/16 x 1 1/16 |
| 6 | 3176 6505 00 | 1 | Nipple | UN 1 1/16 x 7/8 |
| 7 | 0570 5040 29 | 1 | Fitting | JIC 7/8IR x G1/2" ED |
| 8 | 3742 1278 00 | 1 | Counter pressure valve | 2 Bar |
| 9 | 0570 5005 02 | 1 | Fitting | JIC 1 1/16 x G1/2" ED |

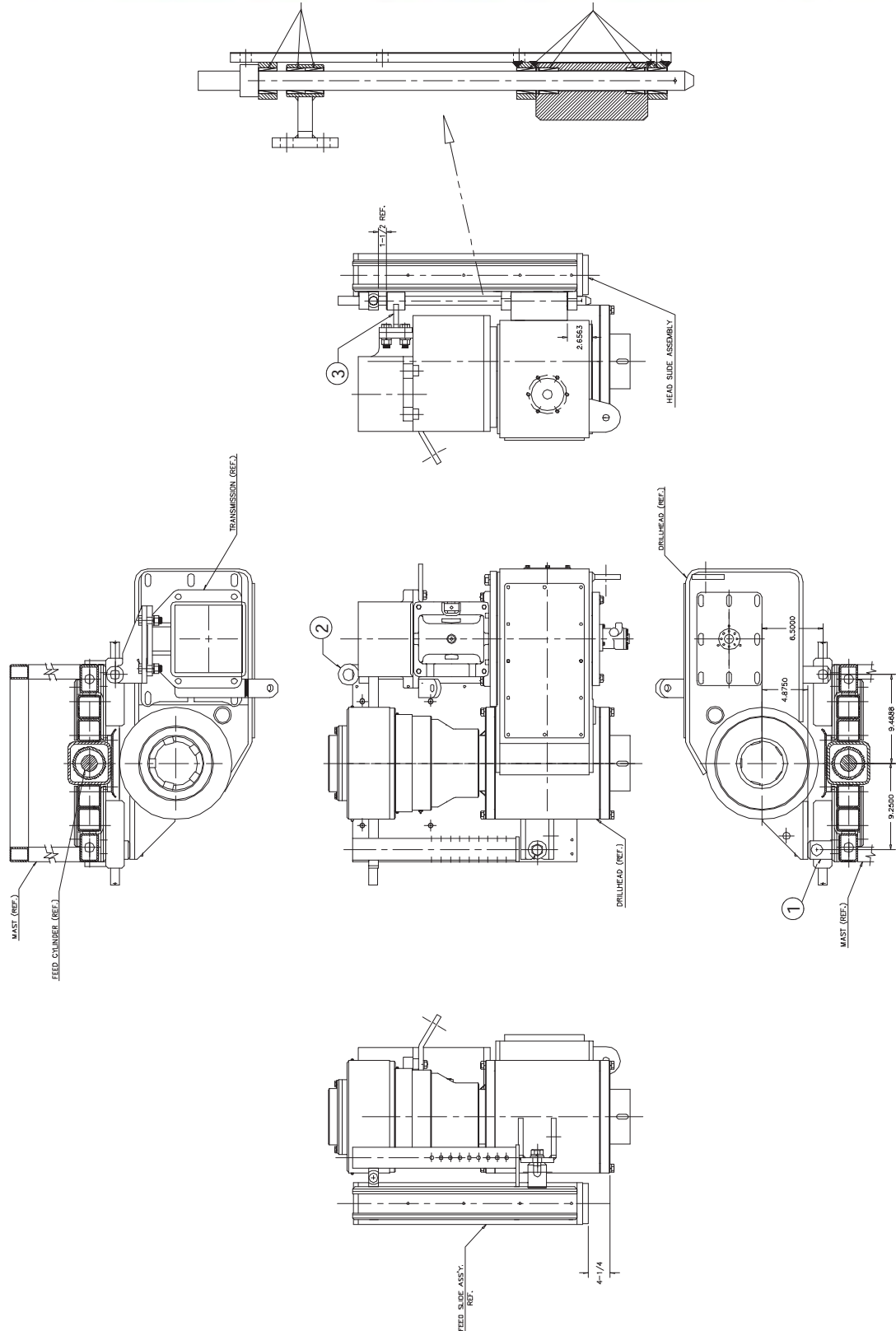
| 3719 0051 80 Hydraulic motor | | | | |
|-------------------------------------|--------------|----------|-------------|--------|
| Pos. No. | Part number | Quantity | Description | Remark |
| - | 3719 0014 55 | 1 | Packing kit | |



BUMEKS[®]
GEAR INDUSTRY

DRILL HEAD, PQ

BMC.3760 0129 47 Rotation unit with hydraulic motor





BUMEKS®
GEAR INDUSTRY

DRILL HEAD, PQ

BMC.3760 0129 47 Rotation unit with hydraulic motor

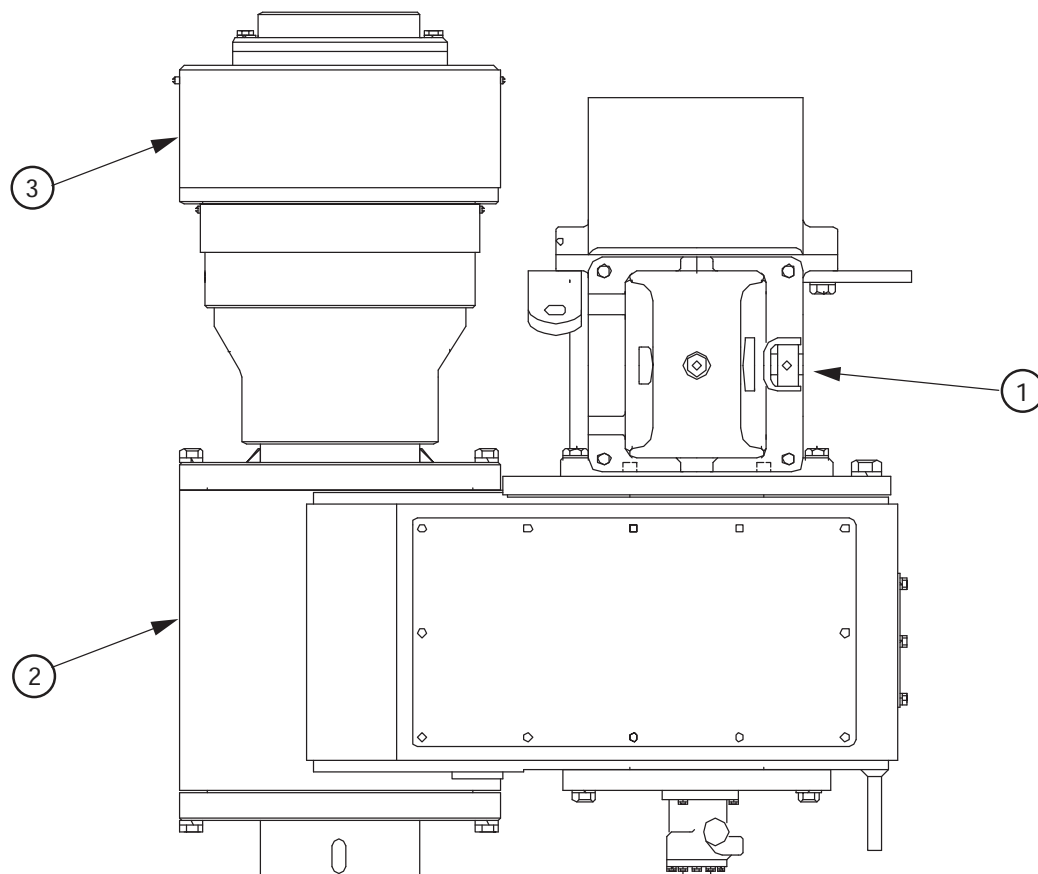
| 3760 0129 47 Rotation unit with mounting parts | | | | |
|--|--------------|----------|---------------------------|-------------------|
| Pos. No. | Part number | Quantity | Description | Remark |
| - | 3760 0129 46 | 1 | Drill head "P" | See separate list |
| - | 3760 0071 35 | 1 | Chuck Jaw and bushing kit | See separate list |
| 1 | 3760 0033 36 | 1 | Pin Head Mount | |
| 2 | 3760 0033 76 | 1 | Assy Head Mount Pin | |
| 3 | 3760 0033 56 | 1 | Support Transmission | |
| 4 | 3760 0071 79 | 3 | Bushing Pressfit | 1.375od |
| 5 | 3760 0045 06 | 4 | Flanged Bushing | |



BUMEKS®
GEAR INDUSTRY

DRILL HEAD, PQ

BMC.3760 0129 46 Rotation unit





BUMEKS[®]
GEAR INDUSTRY

DRILL HEAD, PQ

BMC.3760 0129 46 Rotation unit

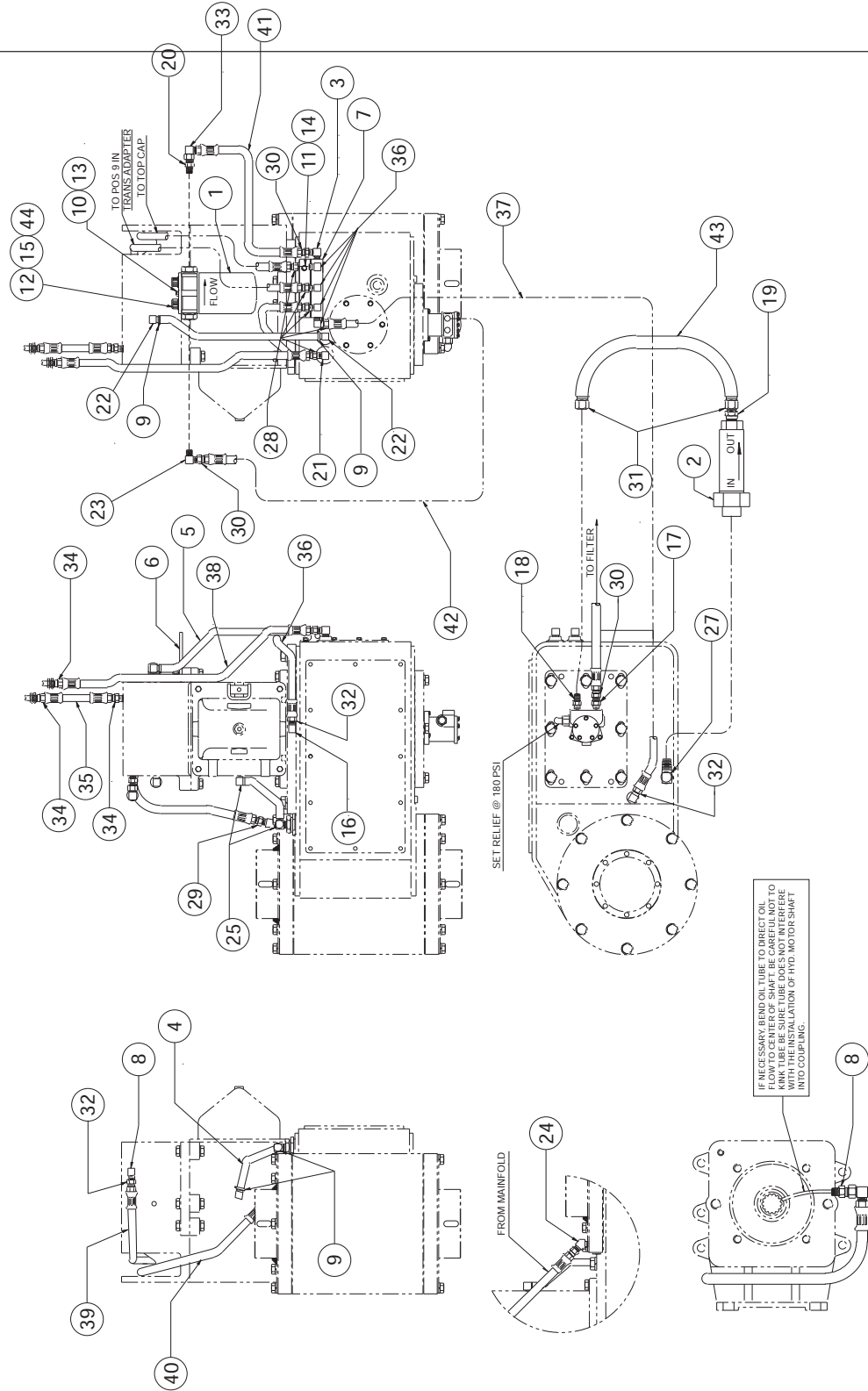
| 3760 0129 46 Rotation unit | | | | |
|----------------------------|--------------|----------|--------------------------------------|-------------------|
| Pos. No. | Part number | Quantity | Description | Remark |
| - | 3760 0046 44 | 1 | Lubrication system for Rotation unit | See separate list |
| 1 | 3760 0031 97 | | Transmission unit FUNK SAE C | See separate list |
| 2 | 3760 0129 42 | 1 | Chain drive assembly "P" | See separate list |
| 3 | 3760 0129 45 | 1 | Chuck 4-5/8" automatic | See separate list |



BUMEKS®
GEAR INDUSTRY

DRILL HEAD, PQ

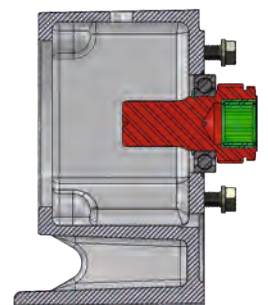
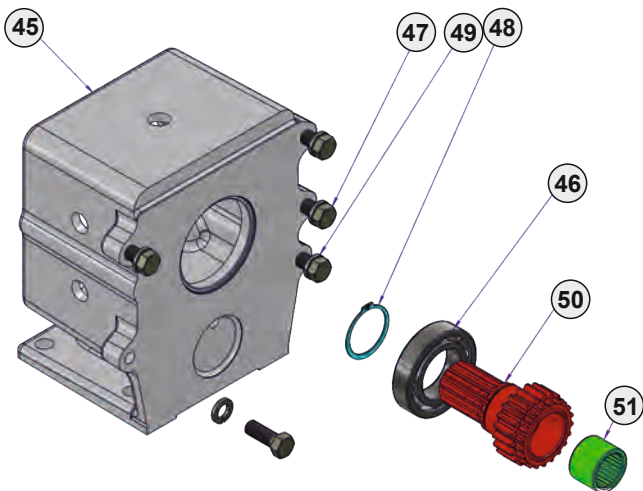
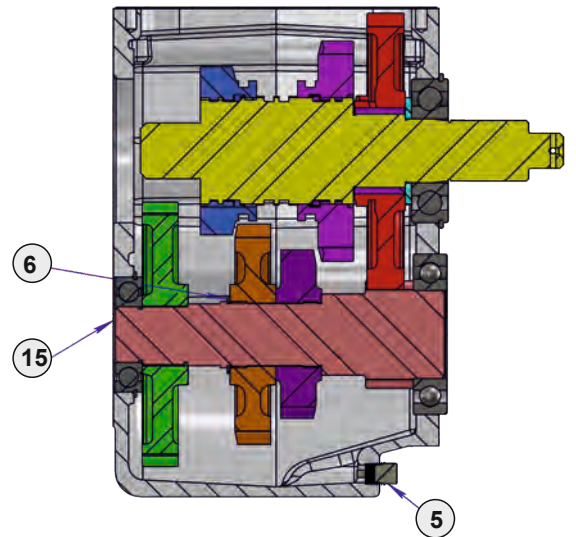
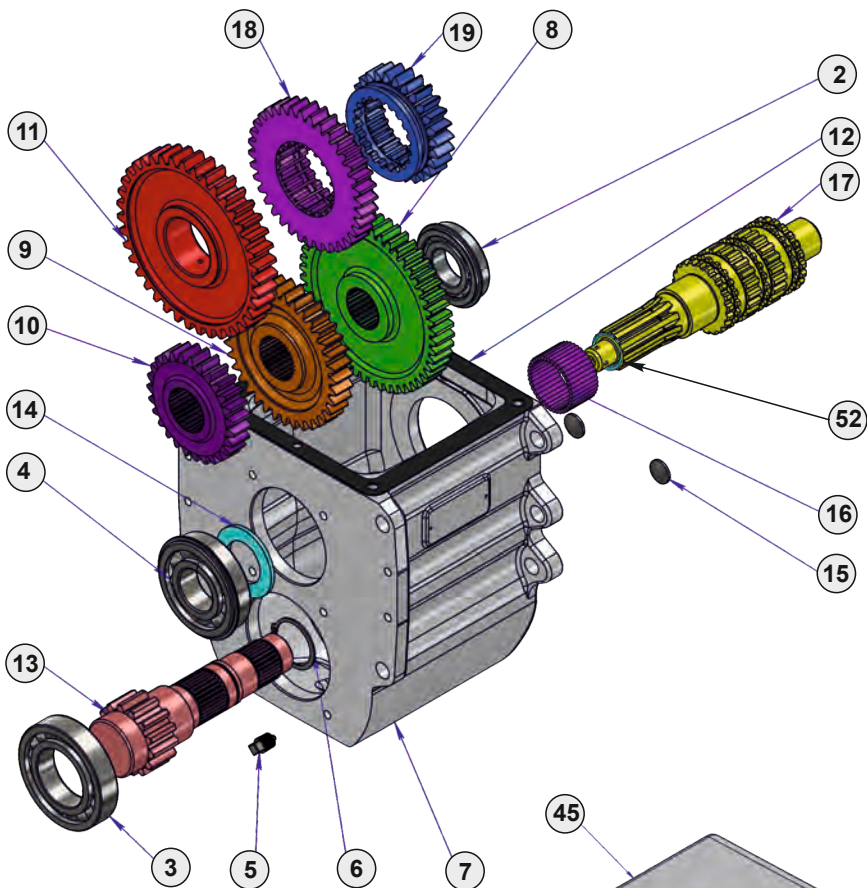
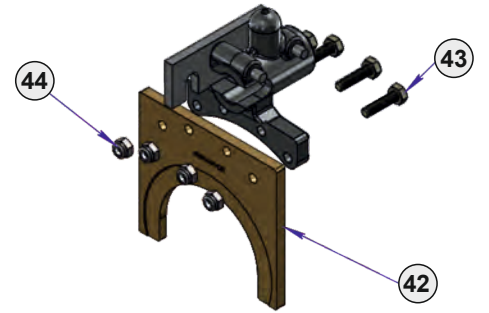
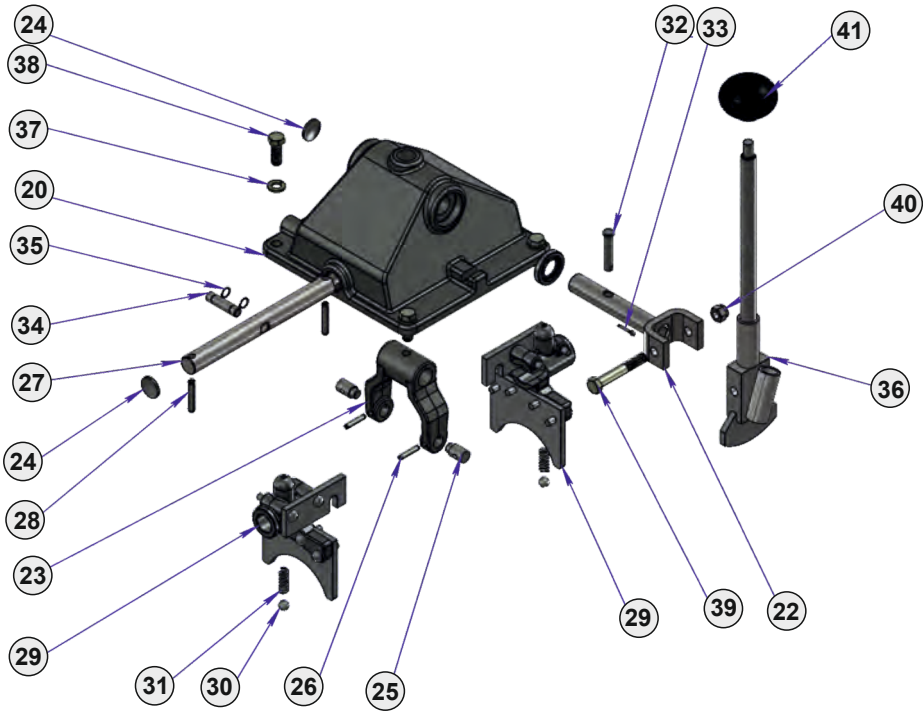
BMC.3760 0046 44 Lubrication system



DRILL HEAD, PQ

BMC.3760 0046 44 Lubrication system

| Pos. | Part number | Cross ref No. | Quantity | Description | Remark |
|------|--------------|---------------|----------|---------------------------|---------------------|
| 1 | 3760 0071 61 | 025038-45 | 1 | Filter assy | |
| 2 | 3760 0073 22 | 025038-54 | 1 | Strainer inline suction | |
| 3 | 0570 5090 58 | 570509058 | 1 | 90 Elbow - O ring-4/JIC-8 | |
| 4 | 3760 0071 78 | 160606-0 | 4" | Transparent tubing | 1/2 ID |
| 5 | 3760 0071 78 | 160606-0 | 12" | Transparent tubing | 1/2 ID |
| 6 | 3760 0033 34 | 163062-0 | 1 | Mount filter | |
| 7 | 3760 0033 73 | 363449-0 | 1 | Block drillhead oiler | |
| 8 | 3760 0073 23 | 364335-0 | 1 | Oil tube trans. Adapter | |
| 9 | 3760 0046 52 | | 4 | Strait fem | JIC-8 TO BARB |
| 10 | 0144 3206 03 | 5101403 | 2 | HHCS | 1/4-20 UNC X 3/4 LG |
| 11 | 0144 3285 03 | 5103403 | 2 | HHCS | 3/8-16 UNC X 3/4 LG |
| 12 | 0268 3204 00 | 5170608 | 2 | HN | 1/2-13 UNC |
| 13 | 5530 7032 00 | 5180504 | 2 | Regular lockwasher | 1/4 |
| 14 | 5530 7029 00 | 5180506 | 2 | Regular lockwasher | 3/8 |
| 15 | 5530 7028 00 | 5180508 | 2 | Regular lockwasher | 1/2 |
| 16 | 0570 5010 21 | 5290200 | 1 | Adapter | NPT-2/JIC-4 |
| 17 | 3176 2786 00 | 5290209 | 1 | Adapter | NPT-8/JIC-8 |
| 18 | 3176 1508 00 | 5290210 | 1 | Adapter | NPT-8/JIC-10 |
| 19 | 0570 5010 00 | 5290221 | 1 | Adapter | NPT-12/JIC-10 |
| 20 | 0570 5010 21 | 5290223 | 1 | Adapter | NPT-12/JIC-8 |
| 21 | 0570 5090 01 | 5290302 | 1 | 90 Elbow | NPT-4/JIC-4 |
| 22 | 3176 0062 00 | 5290308 | 2 | 90 Elbow | NPT-6/JIC-8 |
| 23 | 0570 5090 08 | 5290321 | 1 | 90 Elbow | NPT-12/JIC-8 |
| 24 | 0570 5090 12 | 5290402 | 1 | Elbow | 45 - NPT-4/JIC-4 |
| 25 | 3176 0167 00 | 5290408 | 2 | Elbow | 45 - NPT-6/JIC-8 |
| 26 | 5500 4867 00 | 5290511 | 4 | 90 Elbow - O ring-4/JIC-4 | |
| 27 | 3760 0073 24 | 5290650 | 1 | 90 Elbow | NPT-12/NPT-8 |
| 28 | 3760 0073 25 | 5292000 | 5 | Crimp hose end | 4-4 STR |
| 29 | 3760 0072 67 | 5292004 | 1 | Swivel | Straight JIC |
| 30 | 3760 0072 69 | 5292006 | 3 | Swivel | Straight JIC |
| 31 | 3760 0073 26 | 5292008 | 2 | Swivel | Straight JIC |
| 32 | 3760 0073 27 | 5292017 | 3 | Elbow | 90 deg. |
| 33 | 3760 0073 28 | 5292020 | 1 | Swivel | 90 JIC |
| 34 | 3760 0073 29 | 5292037 | 3 | Straight male NPTF | |
| 35 | 0573 0100 01 | 6784600 | 11" | Hose | 100R1AT 1/4 ID |
| 36 | 0573 0100 01 | 6784600 | 15" | Hose | 100R1AT 1/4 ID |
| 37 | 0573 0100 01 | 6784600 | 22" | Hose | 100R1AT 1/4 ID |
| 38 | 0573 0100 01 | 6784600 | 28" | Hose | 100R1AT 1/4 ID |
| 39 | 0573 0100 01 | 6784600 | 29" | Hose | 100R1AT 1/4 ID |
| 40 | 0573 0100 01 | 6784600 | 33" | Hose | 100R1AT 1/4 ID |
| 41 | 0573 0100 02 | 6784602 | 8,5" | Hose | 100R1AT 1/2 ID |
| 42 | 0573 0100 02 | 6784602 | 24" | Hose | 100R1AT 1/2 ID |
| 43 | 0573 0100 03 | 6784630 | 17" | Hose | 100 RIAT 5/8' ID |
| 44 | 3760 0108 69 | 090223-259 | 2 | Capscrew | SOC HD 1/2-13X |





BUMEKS[®]
GEAR INDUSTRY

HMD2355

4 Speed Transmission

BMC DRILL

| Image# | Item # | Bumeks # | Funk # | Copco # | Boyles # | AVD # | Description | Qty |
|---|--------|----------------|-----------|------------|------------|-------|------------------------------------|-----|
|  | 1 | B000.000350 | YZ06308 | 3760003197 | 100311 | | COMPLETE TRANSMISSION FUNK | 1 |
|  | 2 | B000.000350-23 | F40207R | 3760007123 | 090004-207 | TR-9 | MEDIUM DEEP GROOVE BALL BRG | 1 |
|  | 3 | B000.000350-25 | F41211R | 3760007124 | 090016-211 | TR-10 | MEDIUM DEEP GROOVE BALL BRG | 1 |
|  | 4 | B000.000350-26 | YZ4023932 | 3760007125 | 090028-308 | TR-18 | MEDIUM DEEP GROOVE BALL BRG | 1 |
|  | 5 | B000.000350-56 | F202002 | 3760007338 | 090790-2 | TR-2 | 1/4 NPT, SQUARE HEAD MAGNETIC PLUG | 1 |
|  | 6 | B000.000350-39 | F39010162 | 335110426 | 5051162 | TR-8 | EXTERNAL RETAINING RING | 1 |
|  | 7 | B000.000350-2 | 4023301B | 3760007092 | 154000-0 | TR-1 | HOUSING | 1 |
|  | 8 | B000.000350-09 | 4023307 | 3760007106 | 154017-0 | TR-4 | SPUR GEAR | 1 |
|  | 9 | B000.000350-08 | 4023308 | 3760007105 | 154016-0 | TR-5 | GEAR, CENTERSHAFT, 3RD | 1 |
|  | 10 | B000.000350-07 | 4023314 | 3760007104 | 154015-0 | TR-6 | GEAR, COUNTER 2ND | 1 |
|  | 11 | B000.000350-12 | 4023355 | 3760007101 | 154010-0 | TR-15 | GEAR | 1 |
|  | 12 | B000.000350-36 | 4023481 | 3760007108 | 154021-0 | | GASKET, CAP | 1 |
|  | 13 | B000.000350-14 | 4023543 | 3760007103 | 154014-0 | TR-7 | SHAFT | 1 |
|  | 14 | B000.000350-43 | 4023834 | 3760007107 | 154018-0 | TR-16 | WASHER LOWER GEAR #2 | 1 |



BUMEKS®
GEAR INDUSTRY

HMD2355

4 Speed Transmission

BMC DRILL

| Image# | Item # | Bumeks # | Funk # | Copco # | Boyles # | AVD # | Description | Qty |
|---|--------|-----------------|-----------|------------|------------|-------|--|-----|
|  | 15 | B000.000350-54 | F22010A | 3760007118 | 154102-0 | TR-57 | PLUG FREEZE | 2 |
|  | 16 | B000.000350-40 | F56720 | 3760007112 | 158916-5 | TR-11 | ROLLER | 39 |
|  | 17 | B000.000350-15 | YZ4023878 | 3760007116 | 163692-2 | TR-12 | SHAFT | 1 |
|  | 18 | B000.000350-11 | YZ4023879 | 3760007102 | 154011-0 | TR-14 | GEAR, MAIN SHAFT | 1 |
|  | 19 | B000.000350-10 | YZ4023880 | 3760007109 | 158916-1 | TR-13 | GEAR, MAIN SHAFT | 1 |
|  | 20 | B000.000350-3 | 4023406 | 3760007094 | 154002-1 | TR-38 | CAP | 1 |
|  | 21 | B000.000350-37 | F65022 | 3760007117 | 154101-0 | TR-39 | OIL SEAL | 1 |
|  | 22 | B000.000350-18 | 4023463 | 3760005306 | | TR-60 | SHAFT | 1 |
|  | 23 | B000.000350-5 | 4023456 | 3760007100 | 1540008-0 | TR-40 | INSIDE LEVER | 1 |
|  | 24 | B000.000350-54 | F22010A | 3760007118 | 154102-0 | TR-57 | PLUG FREEZE | 3 |
|  | 25 | B000.000350-5-1 | 4023461 | 3760007099 | 154007-0 | TR-41 | PIN, LEVER | 2 |
|  | 26 | B000.000350-44 | 34H282 | 5530775000 | 090107-160 | TR-42 | 3/16" X 1" PLAIN FINISH STEEL SLOTTED SPRING PIN | 2 |
|  | 27 | B000.000350-17 | 4023413 | 3760007097 | 154005-0 | TR-53 | RAIL, SHIFT | 1 |



BUMEKS
GEAR INDUSTRY

HMD2355

4 Speed Transmission

BMC DRILL

| Image# | Item # | Bumeks # | Funk # | Copco # | Boyles # | AVD # | Description | Qty |
|---|--------|-----------------|-----------|------------|------------|--------|---|-----|
|  | 28 | B000.000350-45 | 34H315 | 108110301 | 090107-201 | TR-56 | 1/4" X 1-3/8" PLAIN FINISH STEEL SLOTTED SPRING PIN | 2 |
|  | 29 | B000.000350-6 | 4023424 | 3760007095 | 154003-0 | TR-45 | FORK ASSEMBLY | 2 |
|  | 30 | B000.000350-46 | F7400012D | 517111600 | 090212-10 | TR-52 | 3/8" CHROME STEEL BALL | 2 |
|  | 31 | B000.000350-31 | YZ4023877 | 3760007114 | 158916-7 | TR-51 | DETENT SPRING | 2 |
|  | 32 | B000.000350-5-2 | YZ4023875 | 113461519 | 090772-12 | TR-44 | PIN FASTENER | 1 |
|  | 33 | B000.000350-35 | 11M7079 | | | TR-107 | 3/32" X 1/2" ZINC FINISH EXTENDED PRONG COTTER PIN | 1 |
|  | 34 | B000.000350-49 | 4023451 | 3760007098 | 154006-0 | TR-54 | PIN, INHIBITER | 1 |
|  | 35 | B000.000350-38 | H80661 | 335110425 | 5051037 | | EXTERNAL RETAINING RING | 2 |
|  | 36 | B000.000350-29 | YZ4023886 | 3760007096 | 154004-0 | TR-60 | FUNK SHIFT LEVER | 1 |
|  | 37 | B000.000350-51 | 12H304 | 5530702900 | 5180506 | | 3/8 ZINC FINISH MEDIUM SPLIT LOCK WASHER | 4 |
|  | 38 | B000.000350-48 | 19H218 | 144328703 | 5103603 | | 3/8-16 X 1" GRADE 8 YELLOW ZINC FINISH HEX CAP SCREW | 4 |
|  | 39 | B000.000350-47 | F1003540 | 5530604000 | 5113430 | | 3/8-24 X 2-1/2" GRADE 8 YELLOW ZINC FINISH HEX CAP SCREW | 1 |
|  | 40 | B000.000350-58 | F827616FA | 292133809 | 5171306 | TR-63 | 3/8-24 GRADE 2 ZINC FINISH NE STEEL NYLON INSERT LOCK NUT | 1 |

HMD2355

4 Speed Transmission

BMC DRILL

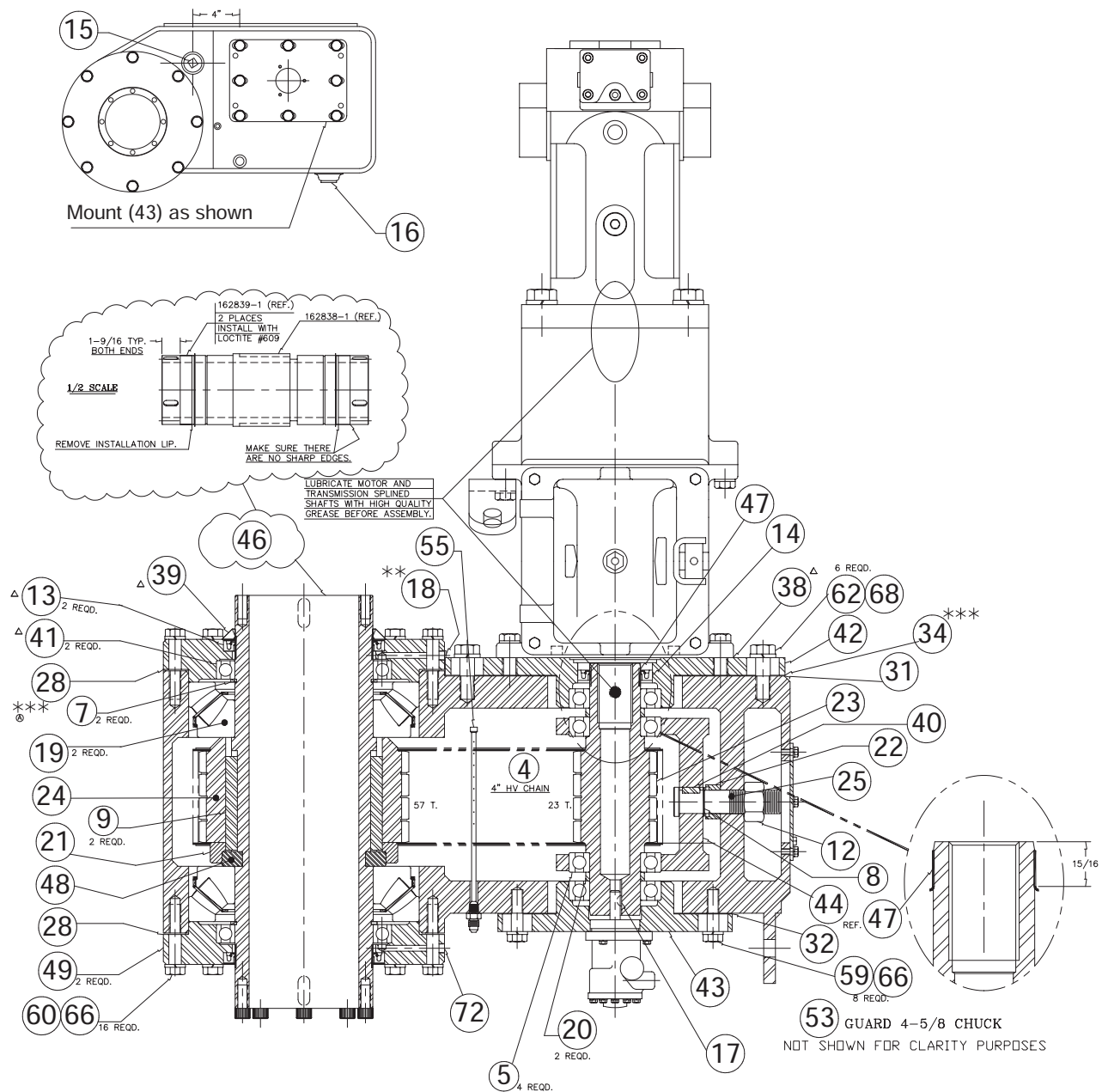
| Image# | Item # | Bumeks # | Funk # | Copco # | Boyles # | AVD # | Description | Qty |
|---|--------|---------------------|------------|------------|------------|--------|---|-----|
|  | 41 | B000.000350-52 | F83000 | 3760007119 | 154103-0 | TR-61 | Knob, Lever | 1 |
|  | 42 | B000.000350-6-1BR | | | | | Plate Fork Full Brass | 1 |
|  | 43 | B000.000350-6-1BR 1 | | | | | 1/4-20 x 1" Grade 8 Yellow Zinc Finish Hex Cap Screw | 4 |
|  | 44 | B000.000350-6-1BR 2 | | | | | 1/4-20 Grade 2 Zinc Finish NE Steel Nylon Insert Lock Nut | 4 |
|  | 45 | B000.000350-1C | 4HP-D7105A | | | TR-105 | Adapter Fitting, SAE D | 1 |
|  | 46 | B000.000350-24 | F41210RH | 3760007332 | 090017-210 | TR-101 | Medium Deep Groove Ball Brg | 1 |
|  | 47 | B000.000350-50 | 19H2355 | 144340403 | 5116003 | | 9/16-12 x 1-1/2" Grade 8 Yellow Zinc Finish Hex Cap Screw | 5 |
|  | 48 | B000.000350-34 | N71922 | 335110427 | 5111196 | TR-102 | External Retaining Ring | 1 |
|  | 49 | B000.000350-59 | F16205 | 5530704900 | 5180509 | | 9/16 Zinc Finish Medium Split Lock Washer | 5 |
|  | 50 | B000.000350-13 | 4023709 | 3760007110 | 158916-2 | TR-100 | Gear Shaft 13T, 21T, 21T | 1 |
|  | 51 | B000.000350-27 | F5102220 | 3760007115 | 158916-10 | TR-17 | Ndl Roller & Cage Assembly In | 1 |
|  | 52 | B000.000350-33 | | | | | External Retaining Ring | 1 |



BUMEKS®
GEAR INDUSTRY

DRILL HEAD, PQ

BMC.3760 0129 42 Chain drive assembly "P"





BUMEKS®
GEAR INDUSTRY

DRILL HEAD, PQ

BMC.3760 0129 42 Chain drive assembly "P"

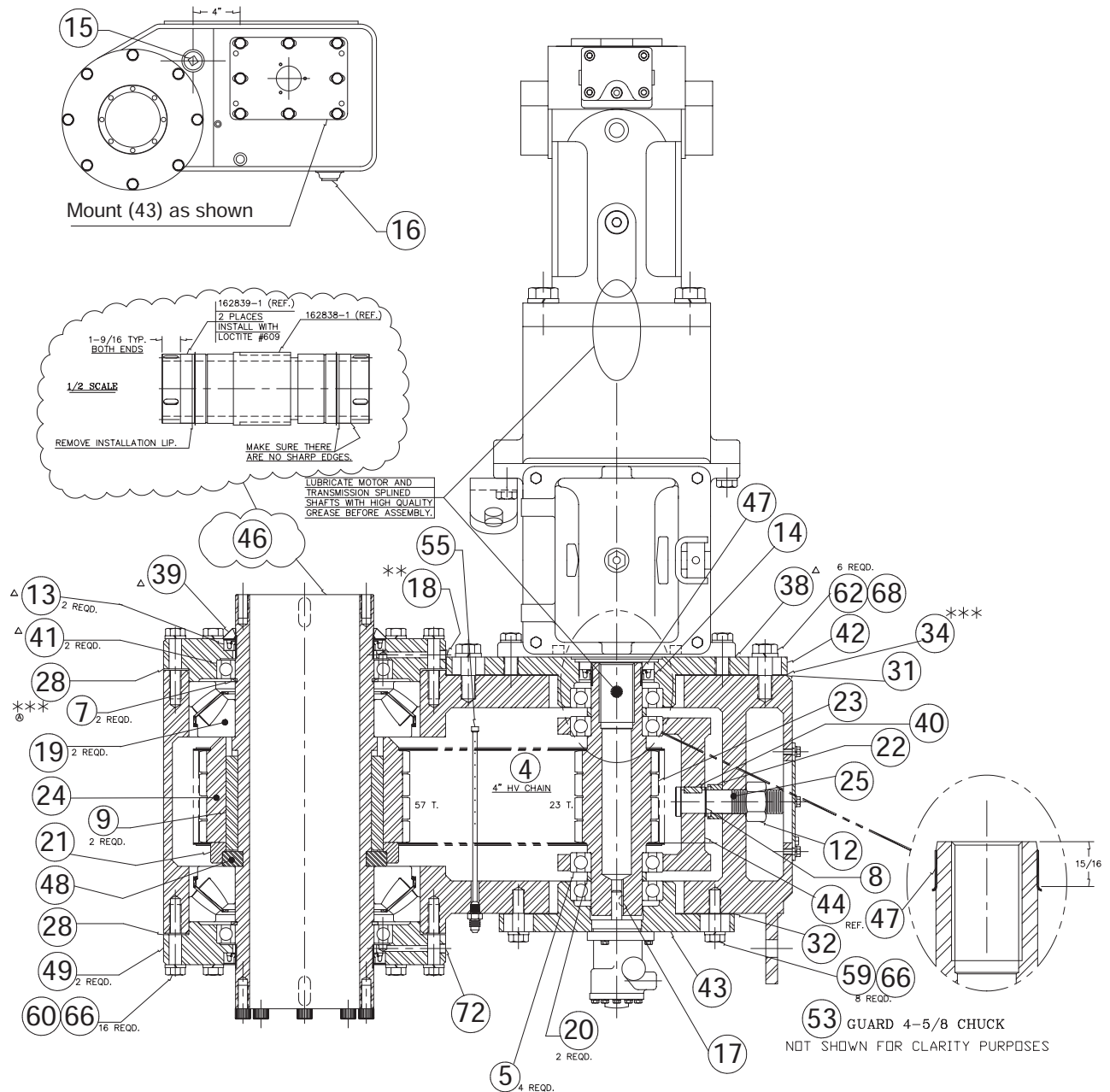
| Pos. No. | Part number | Quantity | Description | Remark |
|----------|--------------|----------|----------------------------|--------|
| 1 | 3760 0031 97 | 1 | Trans assy funk SAE C | |
| 2 | 3760 0032 01 | 1 | Hyd pump assy head lube | |
| 3 | 3760 0073 04 | 1 | Hyd motor assy rotation | |
| 6 | 3760 0071 76 | 1 | O ring | |
| 10 | 0144 3449 03 | 2 | Hhcs 5/8-11 unc x 2 lg | |
| 11 | 0211 5161 92 | 8 | Shcs 7/16-20 unf x 1 1/4 | |
| 26 | 3760 0095 80 | 2 | Gasket .015 Thk (as req'd) | |
| 27 | 3760 0095 81 | 2 | Gasket .032 Thk (as req'd) | |
| 29 | 3760 0095 83 | 1 | Gasket front cover | |
| 30 | 3760 0095 84 | 1 | Gasket side cover | |
| 33 | 3760 0095 87 | 1 | Gasket pump | |
| 35 | 3760 0095 89 | 7 | Gasket .002 Steel | |
| 36 | 3760 0095 90 | 2 | Gasket .005 Thk (as req'd) | |
| 37 | 3760 0095 91 | 1 | Gasket .010" Steel | |
| 45 | 3760 0033 22 | 1 | Cover side | |
| 50 | 3760 0033 26 | 1 | Cover front | |
| 52 | 3760 0033 31 | 1 | Ear lifting transmission | |
| 54 | 3760 0033 61 | 1 | Housing-see ext descript | |
| 56 | 0144 3208 03 | 5 | Hhcs 1/4-20 unc x 1 lg | |
| 57 | 0144 3285 03 | 8 | Hhcs 3/8-16 unc x 3/4" lg. | |
| 58 | 0144 3287 03 | 12 | Hhcs 3/8-16 unc x 1 lg | |
| 61 | 0144 3404 03 | 4 | Hhcs 9/16-12unc x 1 1/2lg | |
| 63 | 0144 3492 03 | 2 | Hhcs 3/4-10unc x 2 1/4 lg | |
| 64 | 5530 7032 00 | 3 | Regular lockwasher - 1/4 | |
| 65 | 5530 7029 00 | 18 | Regular lockwasher - 3/8 | |
| 67 | 5530 7049 00 | 4 | Regular lockwasher - 9/16 | |
| 69 | 5530 7030 00 | 2 | Regular lockwasher - 3/4 | |
| 70 | 0686 3115 06 | 1 | Steel pipe plug - 1/2 npt | |
| 71 | 5530 7892 00 | 1 | 3/4 Square head pipe plug | |
| 73 | 5503 7225 00 | 1 | Plug - o ring-16 | |



BUMEKS[®]
GEAR INDUSTRY

DRILL HEAD, PQ

BMC.3760 0129 42 Chain drive assembly "P"





BUMEKS[®]
GEAR INDUSTRY

DRILL HEAD, PQ

BMC.3760 0129 42 Chain drive assembly "P"

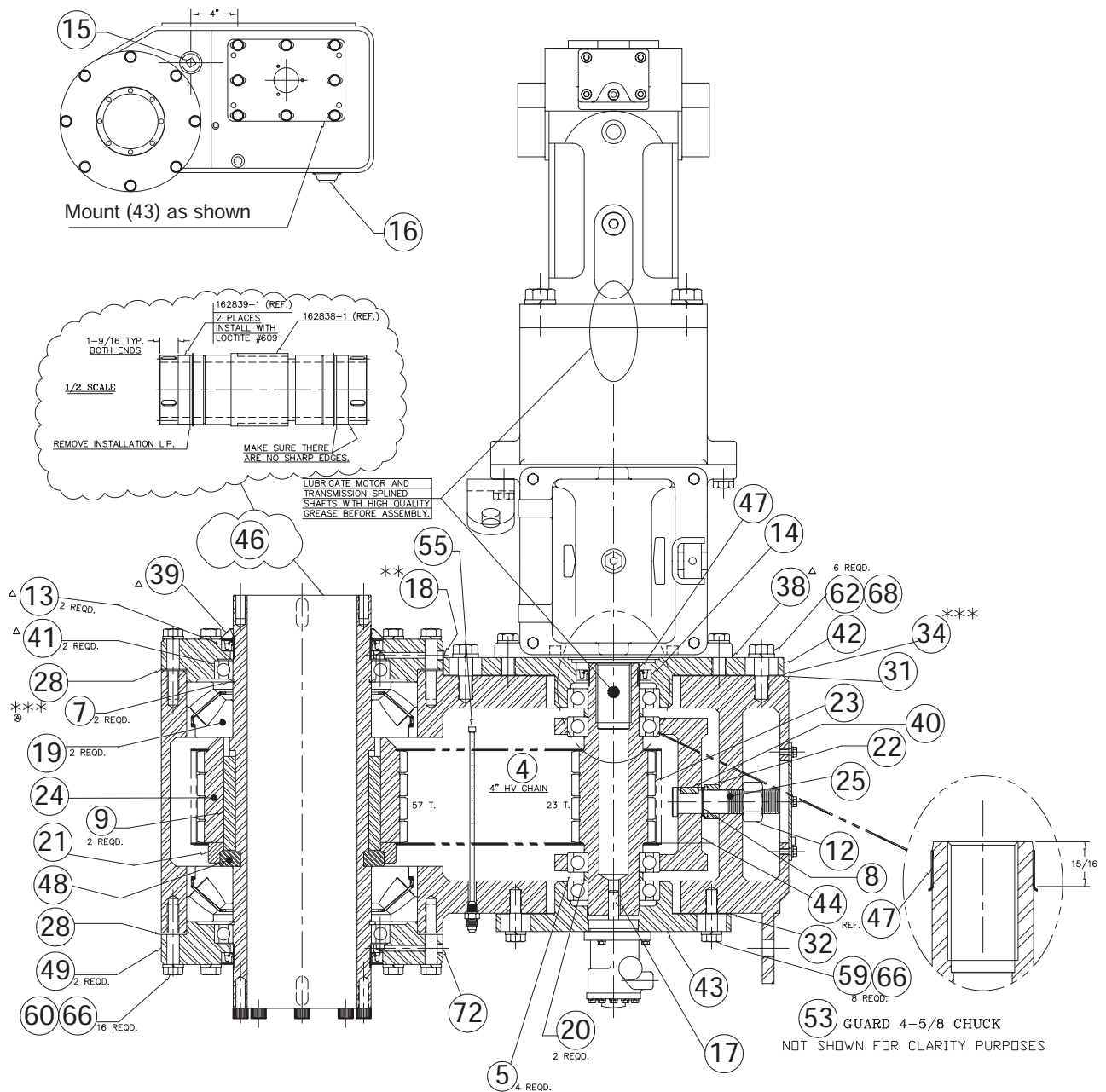
| Pos. No. | Part number | Quantity | Description | Remark |
|----------|--------------|----------|----------------------------|--------|
| 4 | 3760 0032 22 | 1 | Hv chain 1/2pix4"wdx96 pi | |
| 5 | 3760 0071 75 | 4 | Bearing | |
| 7 | 0335 1104 23 | 2 | Retaining ring | |
| 8 | 0335 1104 24 | 1 | Retaining ring heavy duty | |
| 9 | 0337 0009 67 | 2 | Key sq 1/2x1/2x4-1/4 lg | |
| 12 | 3760 0073 11 | 1 | Locknut bowma grip 1"- | |
| 13 | 3760 0095 00 | 2 | Oil seal | |
| 14 | 3760 0095 03 | 1 | Oil seal c/r 21668 | |
| 15 | 3760 0073 13 | 1 | Plg pipe magnetic1-1/4npt | |
| 16 | 3760 0075 57 | 1 | 3/4 Magnetic square plug | |
| 17 | 3760 0071 77 | 1 | Ket woodruff #404 | |
| 18 | 3760 0128 27 | 1 | Plug pipe internal soc | |
| 19 | 3760 0071 74 | 2 | Bear. Sphe. Roller thrust | |
| 20 | 3760 0095 59 | 2 | Spacer | |
| 21 | 3760 0095 63 | 1 | Spacer spindle sprocket | |
| 22 | 3760 0095 64 | 1 | Spacer stop | |
| 23 | 3760 0095 67 | 1 | Sprocket "hv" chain 23 | |
| 24 | 3760 0095 68 | 1 | Sprocket "hv" chain 57 | |
| 25 | 3760 0095 77 | 1 | Pin tensioner | |
| 26 | 3760 0095 80 | 2 | Gasket .015 Thk (as req'd) | |
| 27 | 3760 0095 81 | 2 | Gasket .032 Thk (as req'd) | |
| 28 | 3760 0095 82 | 2 | Gasket .062 Thk | |
| 31 | 3760 0095 85 | 1 | Gasket transmission mount | |
| 32 | 3760 0095 86 | 1 | Gasket pump mount | |
| 34 | 3760 0095 88 | 2 | Gasket .032 Plastic tran | |
| 35 | 3760 0095 89 | 7 | Gasket .002 Steel | |
| 36 | 3760 0095 90 | 2 | Gasket .005 Thk (as req'd) | |
| 37 | 3760 0095 91 | 1 | Gasket .010" Steel | |
| 38 | 3760 0095 92 | 1 | Gasket .062 Thk | |
| 39 | 3760 0073 15 | 1 | Seal excluder 5.865x.375x | |
| 40 | 0337 0009 68 | 1 | Key square 1/4x1/4x3/4lg | |
| 41 | 3760 0071 73 | 2 | Bearing roller thin sectn | |
| 42 | 3760 0033 19 | 1 | Mount transmission | |
| 43 | 3760 0033 20 | 1 | Mount lubrication pump | |
| 44 | 3760 0033 21 | 1 | Housing tensioner machin | |
| 46 | 3760 0033 23 | 1 | Spindle f/cs1500 | |
| 47 | 3760 0071 72 | 1 | Speedi sleeve 55.00mmgold | |
| 48 | 3760 0033 24 | 1 | Ring split | |
| 49 | 3760 0033 25 | 2 | Cap | |
| 53 | 3760 0033 47 | 1 | Guard 4 5/8 chuck | |
| 55 | 3760 0033 74 | 1 | Tube drillhd oil 4"chain | |
| 59 | 0144 3365 03 | 8 | Hhcs 1/2-13unc x 1 1/2 lg | |
| 60 | 0144 4002 06 | 16 | Hhcs 1/2-13unc x 2 1/4 lg | |
| 62 | 0144 3448 03 | 6 | Hhcs 5/8-11unc x 1 3/4 lg | |
| 66 | 5530 7028 00 | 24 | Regular lockwasher - 1/2 | |



BUMEKS[®]
GEAR INDUSTRY

DRILL HEAD, PQ

BMC.3760 0129 42 Chain drive assembly "P"





BUMEKS®
GEAR INDUSTRY

DRILL HEAD, PQ

BMC.3760 0129 42 Chain drive assembly "P"

| 3760 0129 42 Rotation unit - Chain drive assembly "P" | | | | |
|---|--------------|----------|---------------------------|--------|
| Pos. No. | Part number | Quantity | Description | Remark |
| 68 | 0333 2230 00 | 6 | Regular lockwasher - 5/8 | |
| 72 | 0686 3116 01 | 2 | 1/8 Socket pipe plug -dry | |
| 73 | 5503 7225 00 | 1 | Plug - o ring-16 | |

| Available kits | | |
|----------------|-------------|-------------------|
| Part number | Description | Remark |
| 3760 0071 28 | Shim kit | See separate list |
| 3760 0071 70 | Seal kit | See separate list |
| 3760 0072 91 | Rebuild kit | See separate list |

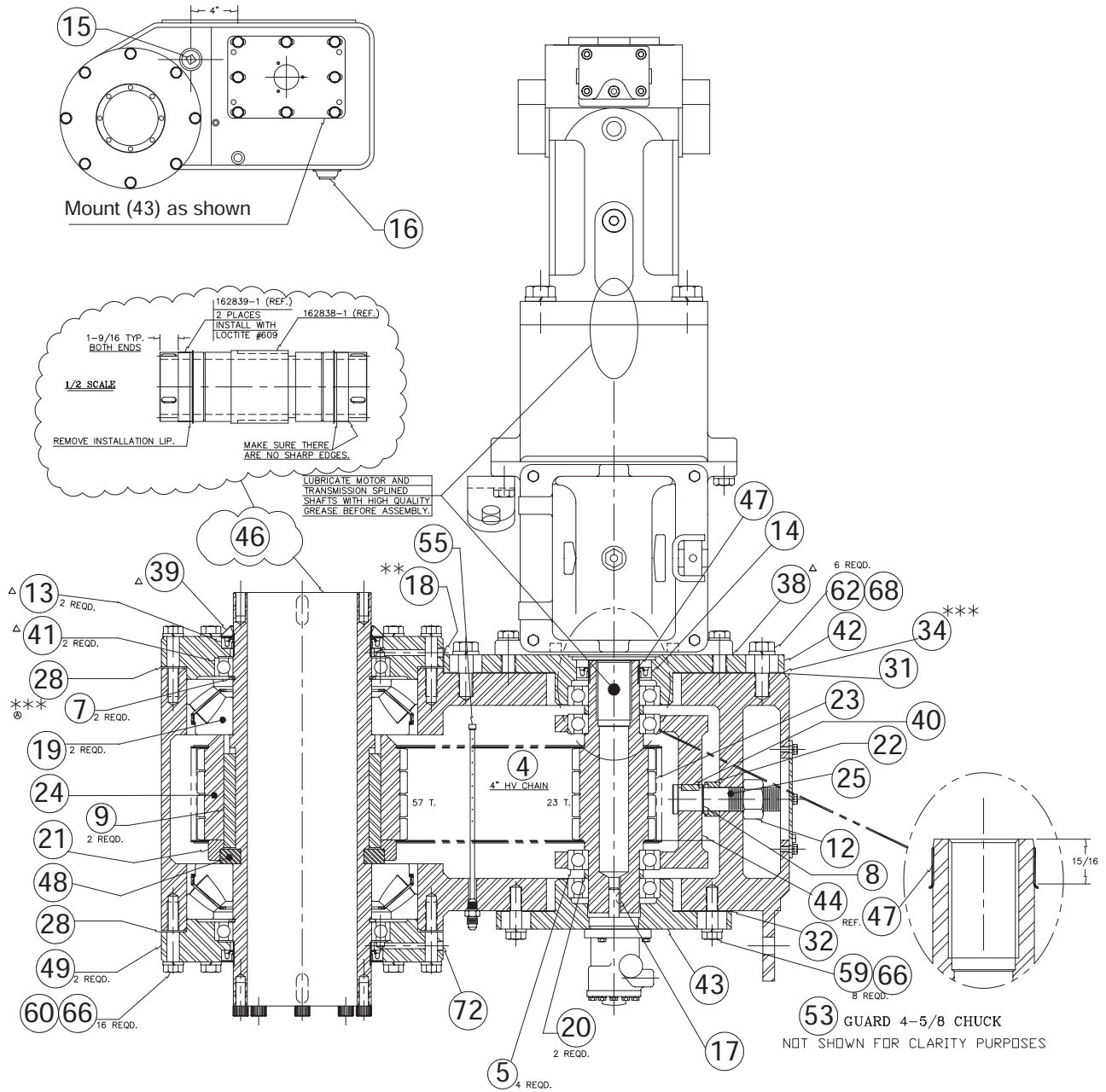
| 3760 0072 91 Rebuild kit | | | | |
|--------------------------|--------------|----------|-----------------------------|-------------------|
| Pos. No. | Part number | Quantity | Description | Remark |
| | 3760 0094 84 | 1 | Bearing | |
| 5 | 3760 0071 75 | 4 | Bearing | |
| | 3760 0094 87 | 1 | Bearing | |
| | 3760 0094 88 | 1 | Bearing | |
| 9 | 0337 0009 67 | 2 | Key sq | 1/2 X 1/2 X 4-1/4 |
| | 3760 0071 28 | 1 | Shim kit | See separate list |
| | 3760 0071 61 | 1 | Filter assy | |
| 4 | 3760 0032 22 | 1 | Hv chain | 1/2PIX4"WDX |
| | 3760 0071 70 | 1 | Se kit | See separate list |
| 17 | 3760 0071 77 | 1 | Key woodruff #404 | |
| 19 | 3760 0071 74 | 2 | Bear. Sphe. Roller t | |
| | 3760 0071 15 | 1 | Bearing needle | |
| | 3760 0071 12 | 1 | Bearing needle | |
| | 3760 0071 78 | 20 | Transparent tubing | 1/2 ID |
| 41 | 3760 0071 73 | 1 | Bearing roller thin section | |
| | 3760 0071 21 | 1 | Coupling trans/mtr | |
| 6 | 3760 0071 76 | 1 | O-ring | |
| | 3760 0072 90 | 1 | Snap ring | |
| | 3760 0094 86 | 1 | Bearing | |
| 2 | 3760 0032 01 | 1 | Hyd. Lube pump | |



BUMEKS[®]
GEAR INDUSTRY

DRILL HEAD, PQ

BMC.3760 0129 42 Chain drive assembly "P"





BUMEKS[®]
GEAR INDUSTRY

DRILL HEAD, PQ

BMC.3760 0129 42 Chain drive assembly "P"

| 3760 0071 28 Shim kit | | | | |
|-----------------------|--------------|----------|---------------------|--------|
| Pos. No. | Part number | Quantity | Description | Remark |
| 38 | 3760 0095 92 | 1 | Gasket .062 thk | |
| 26 | 3760 0095 80 | 2 | Gasket .015 thk | |
| 27 | 3760 0095 81 | 2 | Gasket .032 thk | |
| 28 | 3760 0095 82 | 1 | Gasket .062 thk | |
| 31 | 3760 0095 85 | 1 | Gasket transmission | |
| 32 | 3760 0095 86 | 1 | Gasket pump mount | |
| 34 | 3760 0095 88 | 2 | Gasket .032 plastic | |
| 35 | 3760 0095 89 | 6 | Gasket .002 steel | |
| 36 | 3760 0095 90 | 4 | Gasket .005 steel | |
| 37 | 3760 0095 91 | 2 | Gasket .010" steel | |

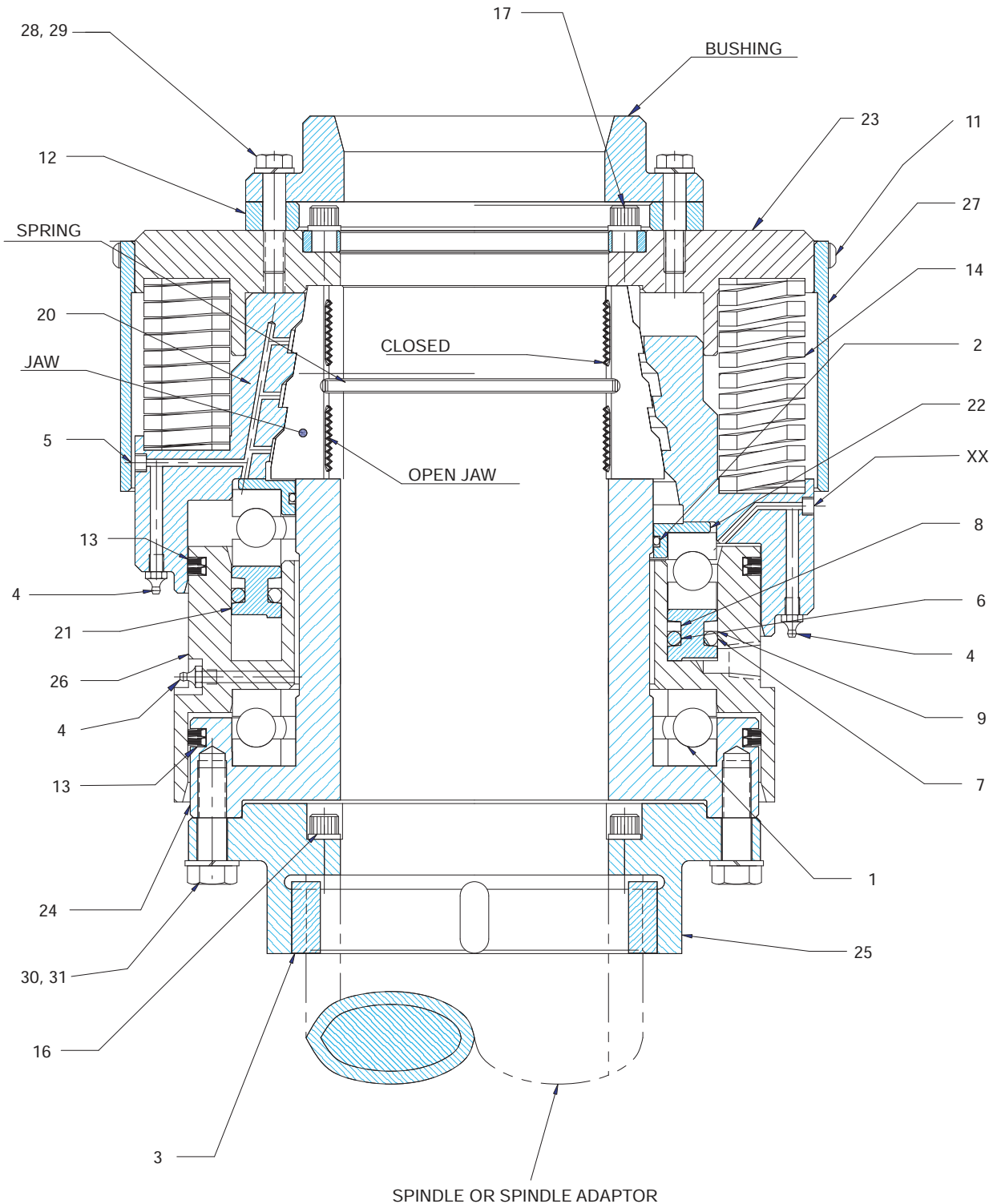
| 3760 0071 70 Seal kit | | | | |
|-----------------------|--------------|----------|--------------------|--------|
| Pos. No. | Part number | Quantity | Description | Remark |
| 33 | 3760 0095 87 | 1 | Pump gasket | |
| 39 | 3760 0073 15 | 1 | Excluder seal | |
| | 3760 0071 71 | 2 | Speedi sleeve | |
| 47 | 3760 0071 72 | 1 | Speedi sleeve | |
| 14 | 3760 0095 03 | 1 | Oil seal | |
| 29 | 3760 0095 83 | 1 | Gasket front cover | |
| 13 | 3760 0095 00 | 2 | Oil seal | |
| 30 | 3760 0095 84 | 1 | Gasket side cover | |



BUMEKS[®]
GEAR INDUSTRY

DRILL HEAD, PQ

BMC.3760 0129 45 Chuck assembly





DRILL HEAD, PQ

BMC.3760 0129 45 Chuck assembly

3760 0129 45 Chuck assembly

| Pos. No. | Part number | Quantity | Description | Remark |
|----------|--------------|----------|----------------------------|-------------------|
| 1 | 3760 0071 86 | 2 | Bearing thrust ball | |
| 2 | 3760 0094 89 | 1 | O-ring | |
| 3 | 0337 0009 70 | 4 | Key . | Sq 1/2 X 1 1/4 LG |
| 4 | 0544 1100 07 | 3 | 1/4 Grease fitting | |
| 6 | 3760 0095 04 | 1 | O-ring | |
| 7 | 3760 0095 05 | 1 | O-ring | |
| 8 | 3760 0095 06 | 1 | Back-up ring | |
| 9 | 3760 0095 07 | 1 | Back-up ring | |
| 10 | 3760 0107 17 | 1 | Elbow extra long 90 male | |
| 11 | 3760 0073 18 | 5 | Capscrew button head | |
| 12 | 3760 0095 57 | 1 | Spacer | |
| 13 | 3760 0073 20 | 4 | Seal brush hyd chuck | |
| 14 | 3760 0071 87 | 21 | Spring compression | |
| 15 | 3760 0032 79 | 1 | Nameplate caution chuck | |
| 16 | 3760 0033 08 | 8 | Bolt special | |
| 17 | 3760 0033 09 | 10 | Bolt special | |
| 18 | 3760 0071 91 | 1 | Socket 7/16 12pt 1/2sqdrv | |
| 20 | 3760 0033 13 | 1 | Bowl chuck | |
| 21 | 3760 0033 14 | 1 | Piston hyd chuck | |
| 22 | 3760 0033 15 | 1 | Retainer seal | |
| 23 | 3760 0033 16 | 1 | Plate top | |
| 24 | 3760 0033 41 | 1 | Base 4-5/8 chuck "p" head | |
| 25 | 3760 0033 42 | 1 | Plate adapter 4-5/8 chk | |
| 26 | 3760 0033 43 | 1 | Cylinder 4-5/8 chuck "p" | |
| 27 | 3760 0033 45 | 1 | Guard spring 4-5/8" chuck | |
| 28 | 0144 3290 03 | 5 | Hhcs 3/8-16unc x 1 1/2 lg | |
| 29 | 5530 7029 00 | 5 | Regular lockwasher - | |
| 30 | 0144 4002 07 | 12 | Hhcs 1/2-20unf x 1 3/4 lg | |
| 31 | 5530 7028 00 | 12 | Regular lockwasher - | |
| | 5501 5959 00 | 1 | 1/4 Socket pipe plug -dry | |
| | 3760 0054 07 | 1 | Chuck anti-torque kit | |
| | 0551 0010 17 | 1 | Pipe thd one end 1/4x21"lg | |
| | 3760 0076 35 | 1 | 1/4" Npt coupling | |

Available kits

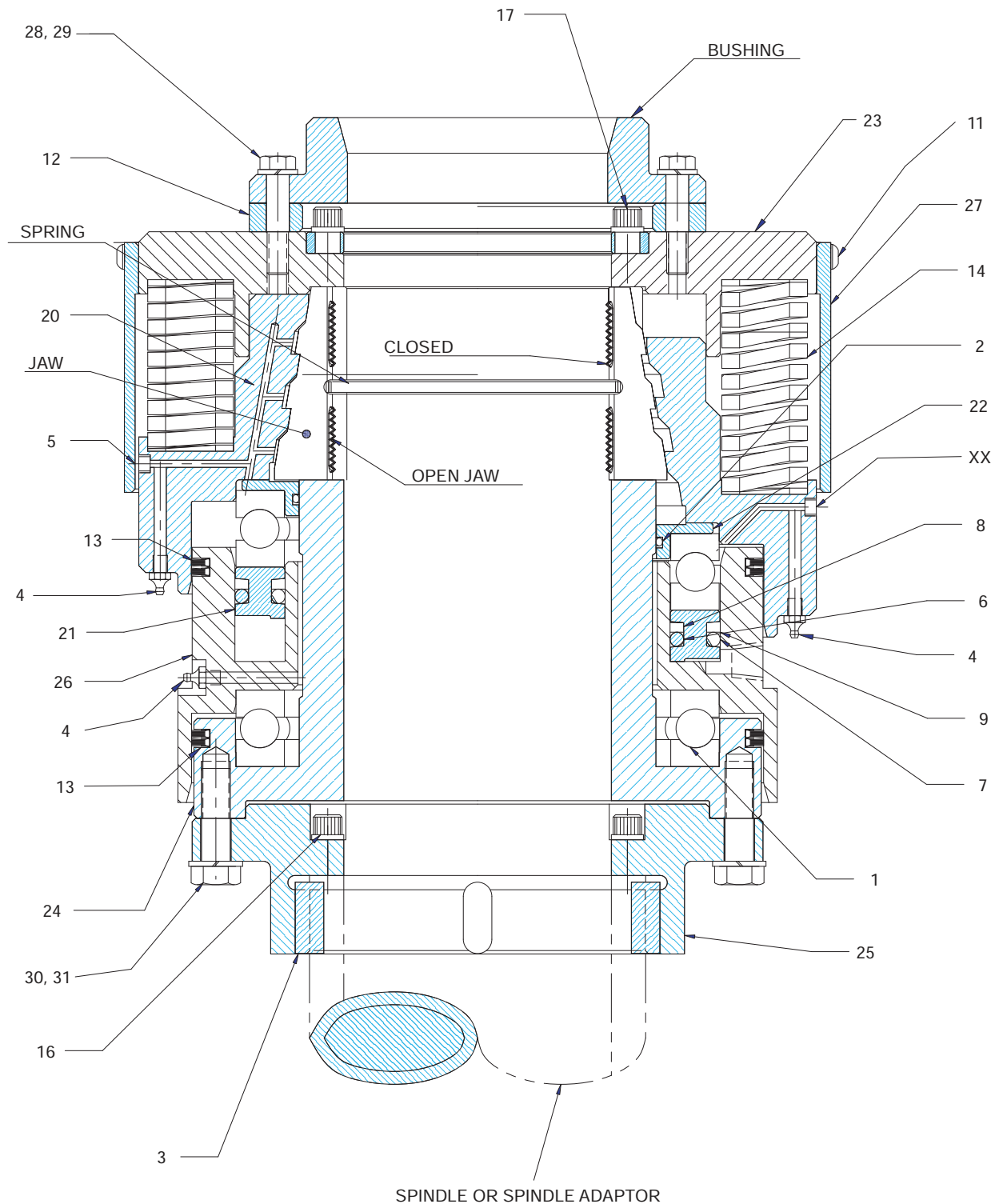
| | |
|--------------|--|
| 3760 0072 92 | Chuck rebuild kit (Overhauling kit), see separate list |
| 3760 0071 80 | Seal kit, see separate list |



BUMEKS
GEAR INDUSTRY

DRILL HEAD, PQ

BMC.3760 0129 45 Chuck assembly





DRILL HEAD, PQ

BMC.3760 0129 45 Chuck assembly

3760 0072 92 Chuck rebuild kit

| Pos. No. | Part number | Quantity | Description | Remark |
|----------|--------------|----------|----------------------|--------------------|
| - | 3760 0071 80 | 1 | Seal kit | 4-5/8" Hyd chuck |
| 1 | 3760 0071 86 | 2 | Bearing thrust ball | |
| 3 | 0337 0009 70 | 4 | Key | SQ 1/2 X 1 1/4 LG. |
| 4 | 0544 1100 07 | 3 | 1/4 Grease fitting | |
| 10 | 3760 0107 17 | 1 | Elbow | Extra long 90 male |
| 11 | 3760 0073 18 | 5 | Capscrew button head | 1/4- |
| 14 | 3760 0071 87 | 21 | Spring compression | |
| 16 | 3760 0033 08 | 8 | Bolt special | |
| 17 | 3760 0033 09 | 10 | Bolt special | |
| 18 | 3760 0071 91 | 1 | Socket | 7/16 12PT 1/2SQDRV |
| 21 | 3760 0033 14 | 1 | Piston hyd chuck | |
| 22 | 3760 0033 15 | 1 | Retainer seal | |

3760 0071 80 Seal kit

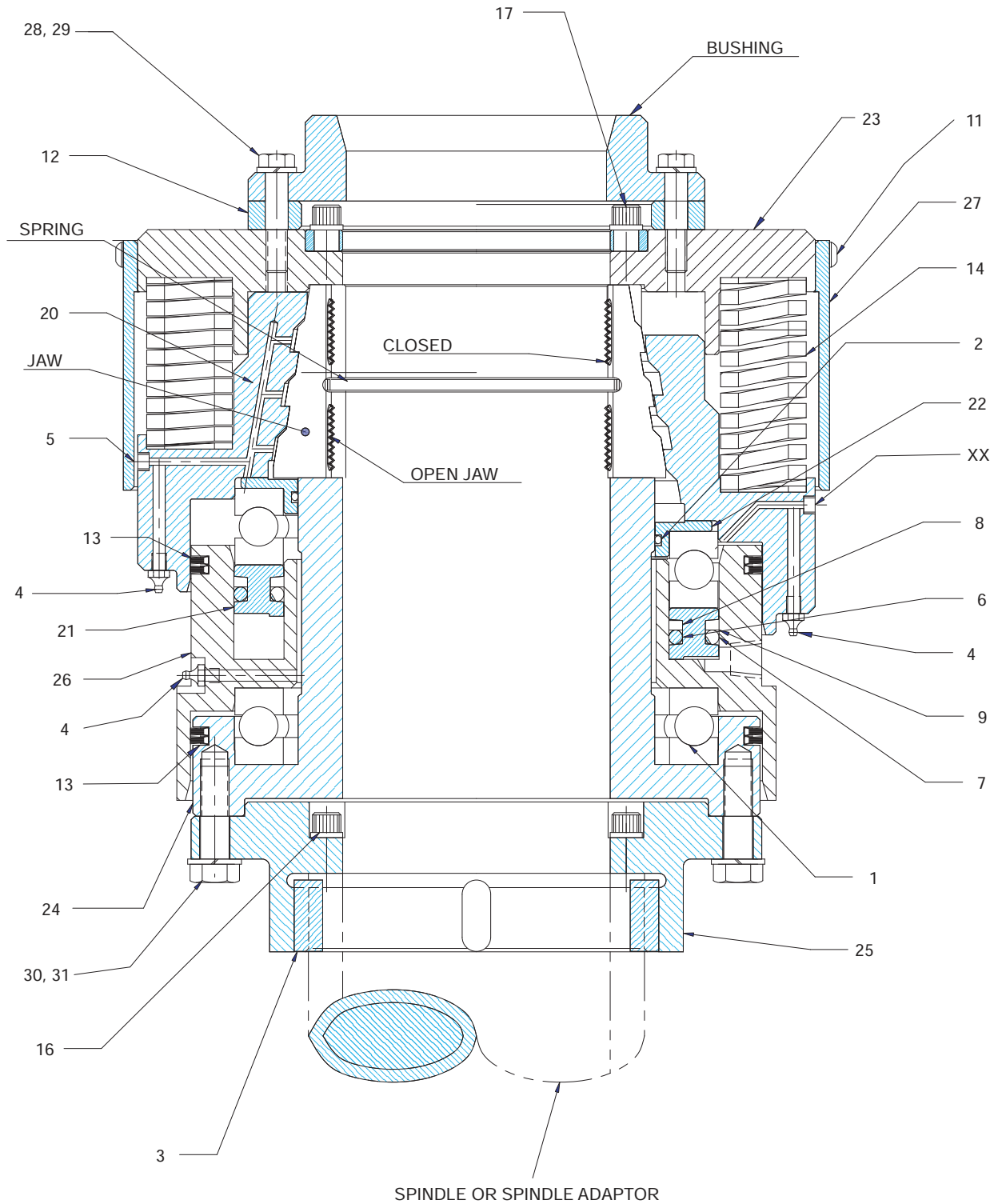
| Pos. No. | Part number | Quantity | Description | Remark |
|----------|--------------|----------|----------------------|--------|
| 2 | 3760 0094 89 | 1 | O-ring | |
| 6 | 3760 0095 04 | 1 | O-Ring | |
| 7 | 3760 0095 05 | 1 | O-ring | |
| 8 | 3760 0095 06 | 1 | Back-Up Ring | |
| 9 | 3760 0095 07 | 1 | O-ring | |
| 13 | 3760 0073 20 | 4 | Seal Brush Hyd Chuck | |



BUMEKS®
GEAR INDUSTRY

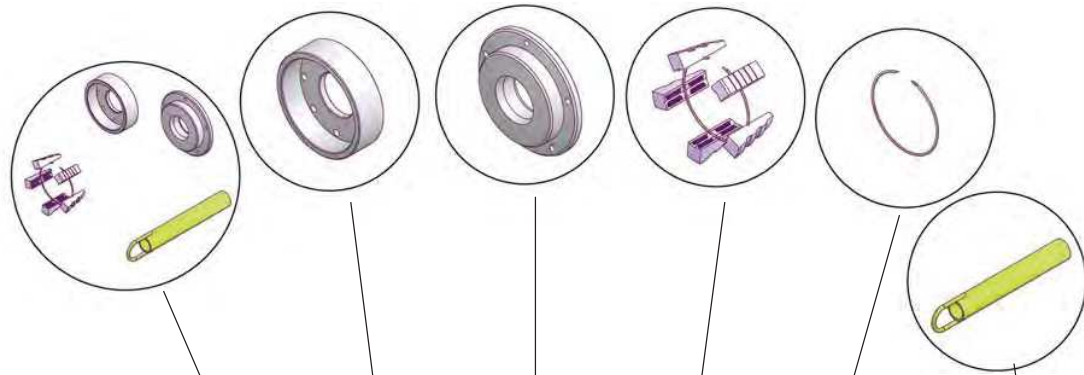
DRILL HEAD, PQ

BMC.3760 0129 45 Chuck assembly



DRILL HEAD, PQ

BMC.3760 0071 33 Jaw and bush kit



| Rod size | Rod diameter | | Jaw and Bushing kit | Spindle Bushing kit | Chuck Bushing kit | Jaw set | Jaw spring | Lifting bail |
|---------------------|--------------|-------|---------------------|---------------------|-------------------|--------------|--------------|--------------|
| | (in) | (mm) | | | | | | |
| BQ/BT | 2 3/16 | 55,58 | 3760 0071 33 | 3760 0073 48 | 3760 0073 54 | 3760 0073 60 | 3760 0095 71 | 3760 0073 68 |
| NQ/NT | 2 3/4 | 69,85 | 3760 0071 35 | 3760 0073 49 | 3760 0073 55 | 3760 0073 61 | 3760 0095 69 | 3760 0073 69 |
| BW Casing | 2 7/8 | 73,02 | 3760 0073 66 | 3760 0073 50 | 3760 0073 56 | 3760 0073 62 | 3760 0095 61 | 3760 0073 70 |
| HQ/HT and NW Casing | 3 1/2 | 88,9 | 3760 0032 25 | 3760 0033 28 | 3760 0033 17 | 3760 0033 50 | 3760 0095 72 | 3760 0033 49 |
| PQ/PT and HW Casing | 4 1/2 | 114,3 | 3760 0071 37 | 3760 0073 52 | 3760 0073 58 | 3760 0073 63 | 3760 0095 73 | 3760 0073 71 |
| PG | 4 5/8 | 117,5 | 3760 0073 67 | 3760 0073 53 | 3760 0073 59 | 3760 0073 64 | 3760 0095 73 | 3760 0073 72 |

Pack bearings with grease before installing in chuck assy

Jaw set includes 5 matched jaws service only in sets of 5



This brochure contains general information and pictures about BUMEKS GEAR CO.LTD. and its products. They might be subject to change and modification. Bumeks Gear reserves the right to change specifications and design of its products without notice. While Bumeks Gear products are of high quality, they are not originals. Bumeks Gear doesn't have any affiliation to OEM companies and brands described in this brochure. All the OEM numbers and trademark names are used for reference purposes only and belong to their respective owners.



BUMEKS®

BMC DRILL



Büyükkayacık Osb Mah. 407 Nolu sk. No : 4 Selçuklu / Konya

 +90 505 039 45 67

 eng/esp : sales3@bumeks.com.tr

 +90 505 911 21 42

 русский : sales2@bumeks.com.tr

 www.bumeks.com.tr  info@bmcd drill.com